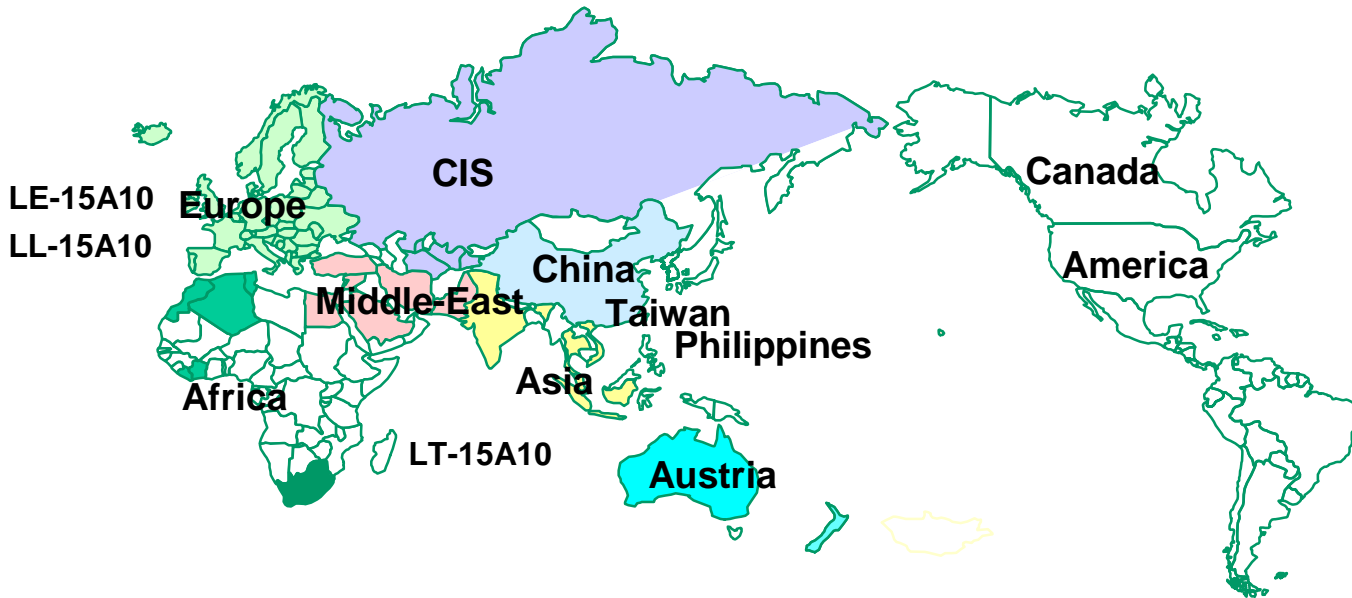


**Welcome to**

# LG LCD TV



## **1. LCD Technology**

- 1) What is TFT LCD ?**
- 2) Structure of TFT LCD**
- 3) TFT-LCD Operating Mechanism**
- 4) Operating Theory**
- 5) Structure LCD Module**
- 6) Structure of Back light**
- 7) Function of Back light**
- 8) Key Parts ; Color Filter, Polarizer**

## **2. LCD Market Trend**

- (1) Comparison with other Display devices**
- (2) World Display Market Trend**
- (3) LCD TV Market trend**
- (4) Guidance of handling LCD product**
- (5) Abbreviations**

## **3. LCD TV Structure**

- (1) General Specifications**
- (2) Presentation for SVC Engineer**

---

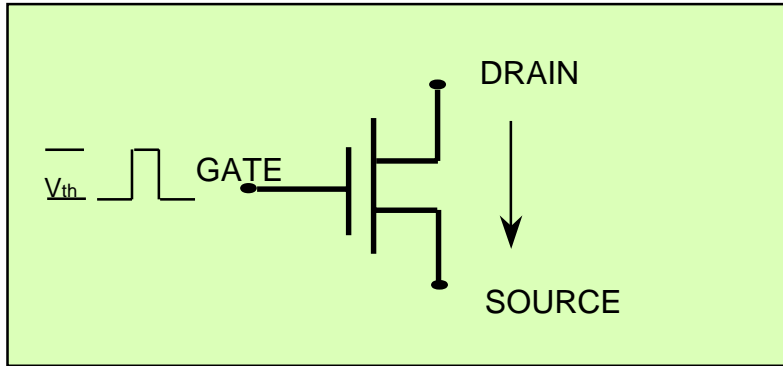
# 1. LCD Technology

- 1) What is TFT LCD ?
- 2) Structure of TFT LCD
- 3) TFT-LCD Operating Mechanism
- 4) Operating Theory
- 5) Structure LCD Module
- 6) Structure of Back light
- 7) Function of Back light
- 8) Key Parts ; Color Filter, Polarizer

# What is TFT(Thin Film Transistor)?

## TRANSISTOR

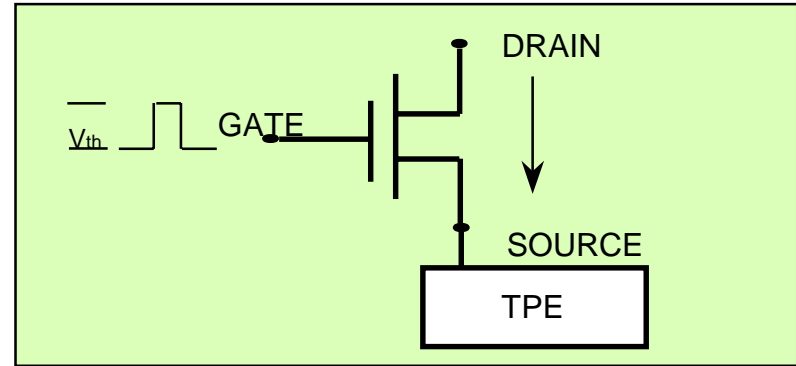
(MOS-FET)



When supply over certain voltage( $V_{th}$ ) to the GATE, it delivers information from Drain to Source

➡ SWITCHING Characteristics

## TFT

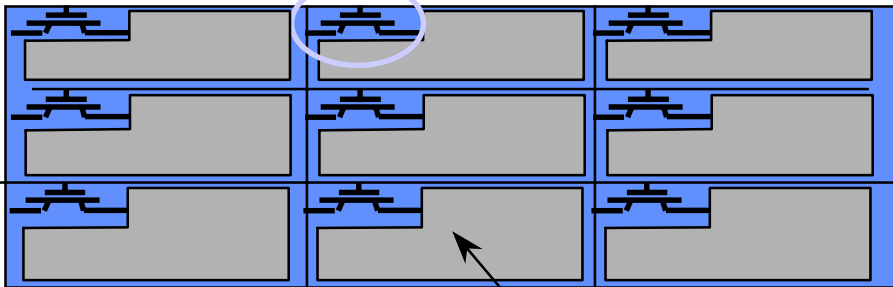


Compound Transistor with thin film in every Pixel on ITO.

➡ Independent on neighboring Pixel

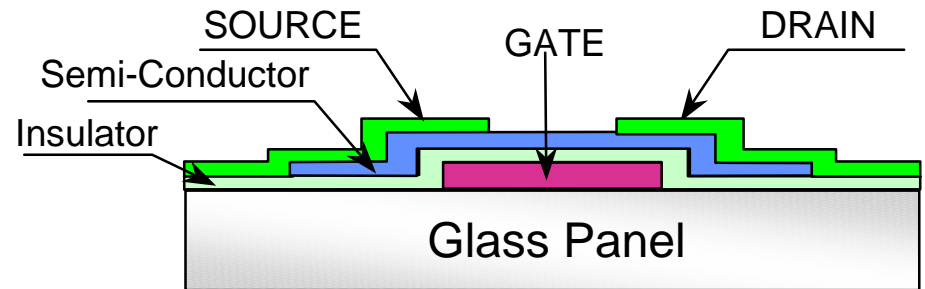
## TFT Panel

TFT Element

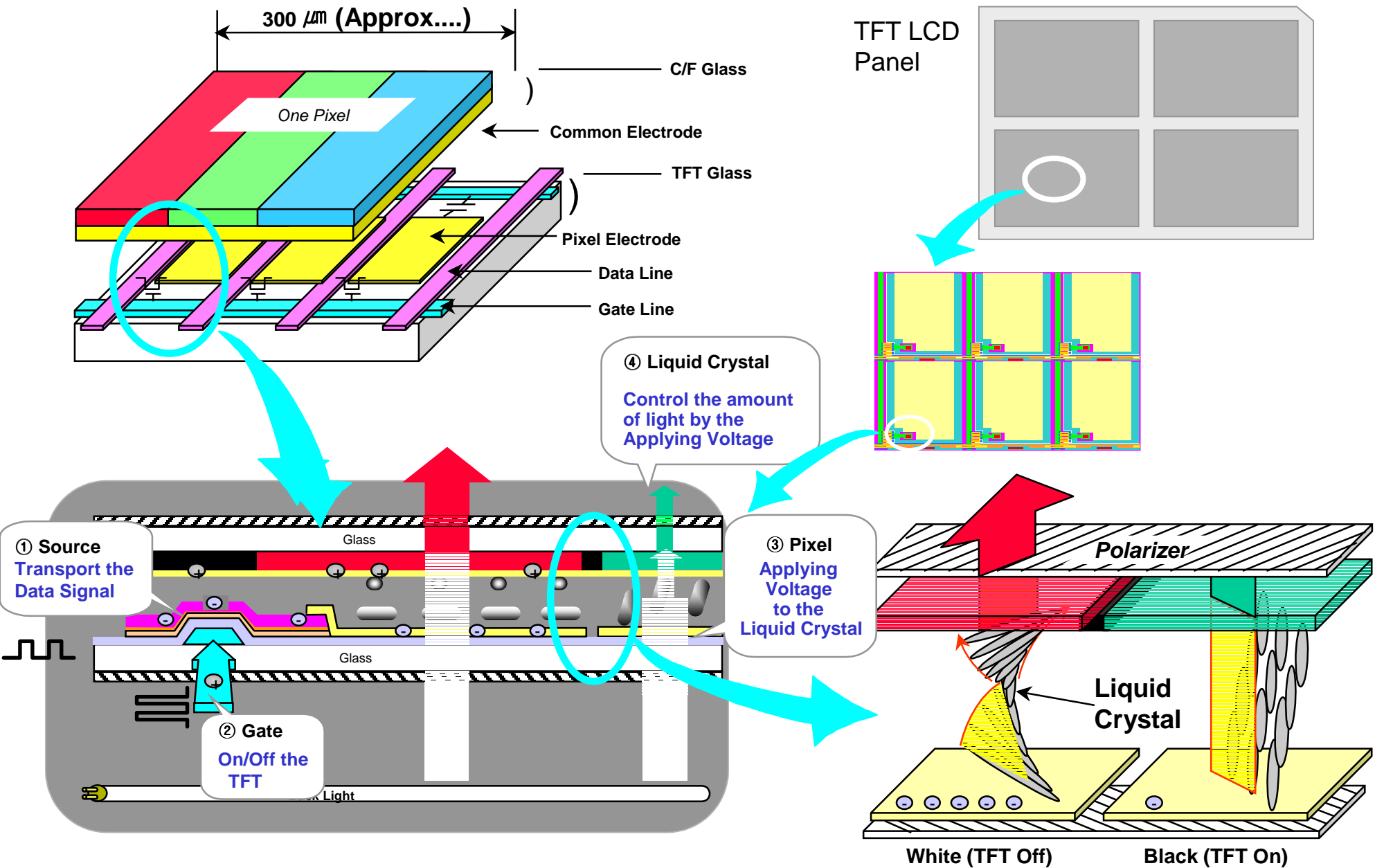


Transparent Pixel Electrode

## TFT Cross section



# Structure of TFT- LCD

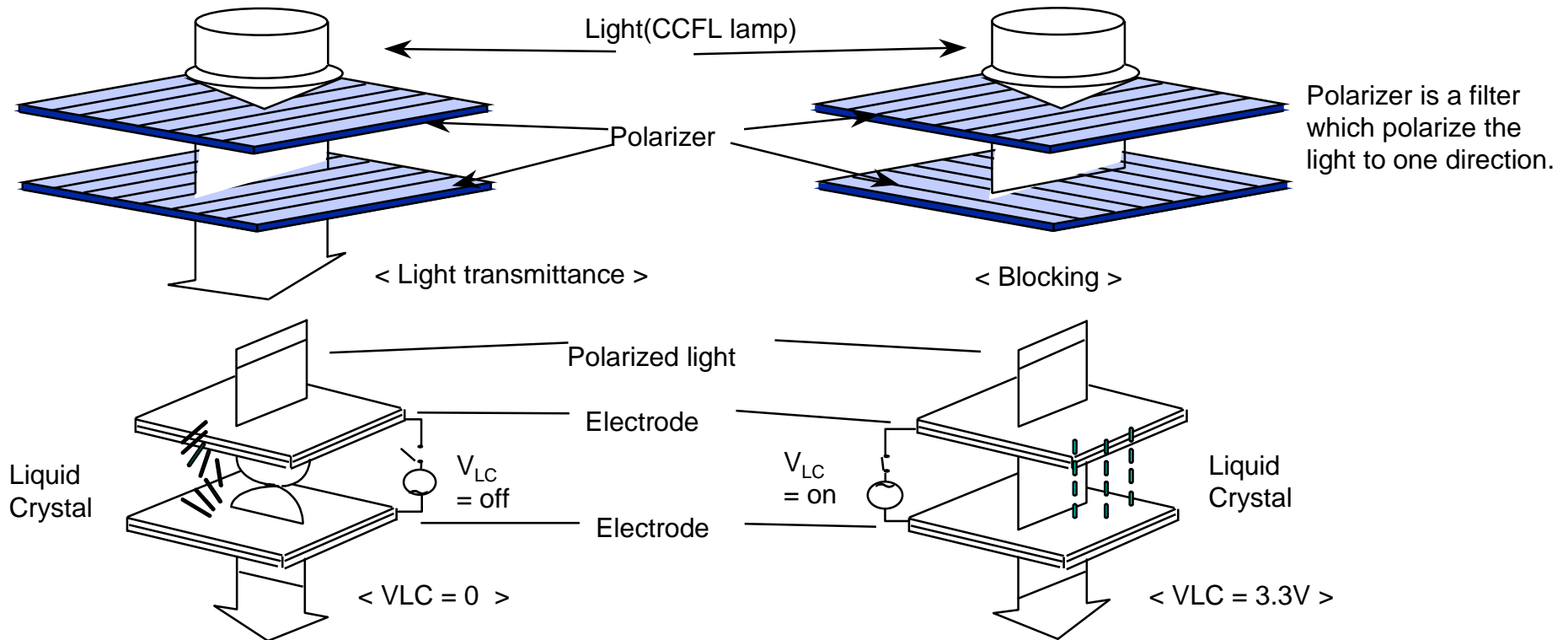


# TFT- LCD Operating mechanism

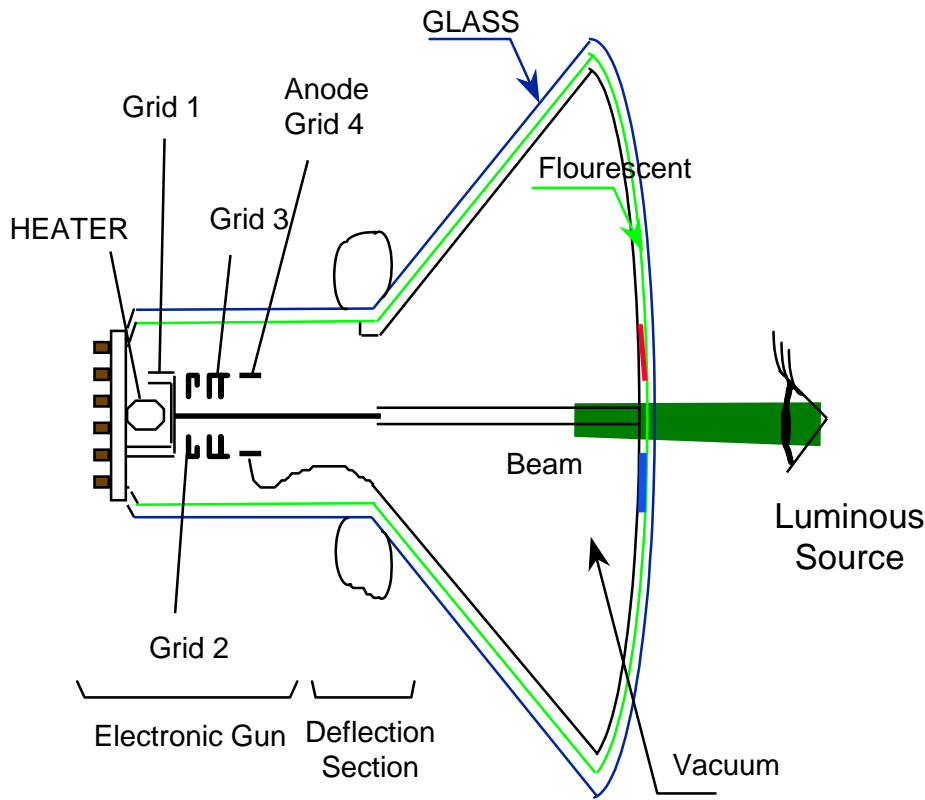
The structure of TFT-LCD is that **Liquid Crystal** is being filled between **C/F Glass** & **TFT Glass**. One **Pixel** consists of 3 **sub-Pixels(R,G,B)** and according to the number of the pixels, **Display Resolution (SVGA,XGA,etc)** is determined.

The **TFT Matrix** consists of **Data Line**(Carrying display data signal),**Gate Line**(Carrying signal for turn On/Off the TFT).Each **TFT**, on each sub-pixel, controls the amount of **Applying Voltage** between C/F glass electrode & TFT glass electrode for the Liquid Crystal.

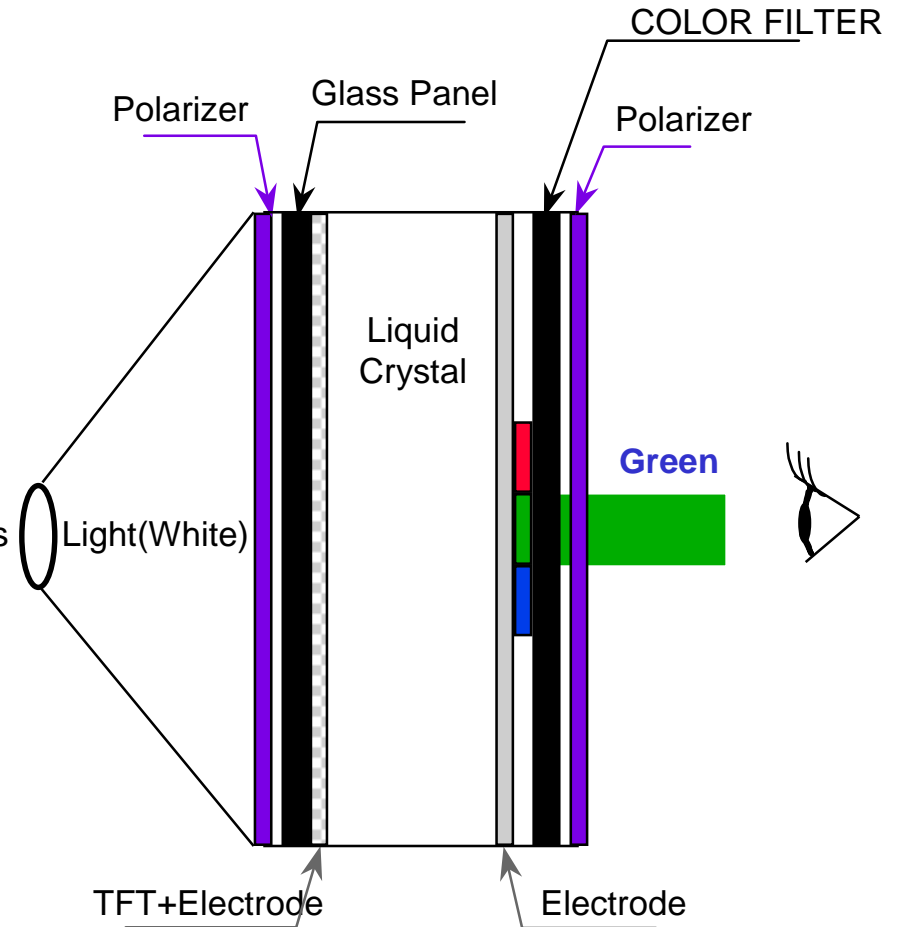
The **Applying Voltage** changes the **Direction of Liquid Crystal** which changes direction of the Light. Transmittance rate of the **Polarized Light**, polarized by **Polarizer**, is controlled by Applying Voltage. As a conclusion, Displayed Light is now under-control of Display Data Signal.



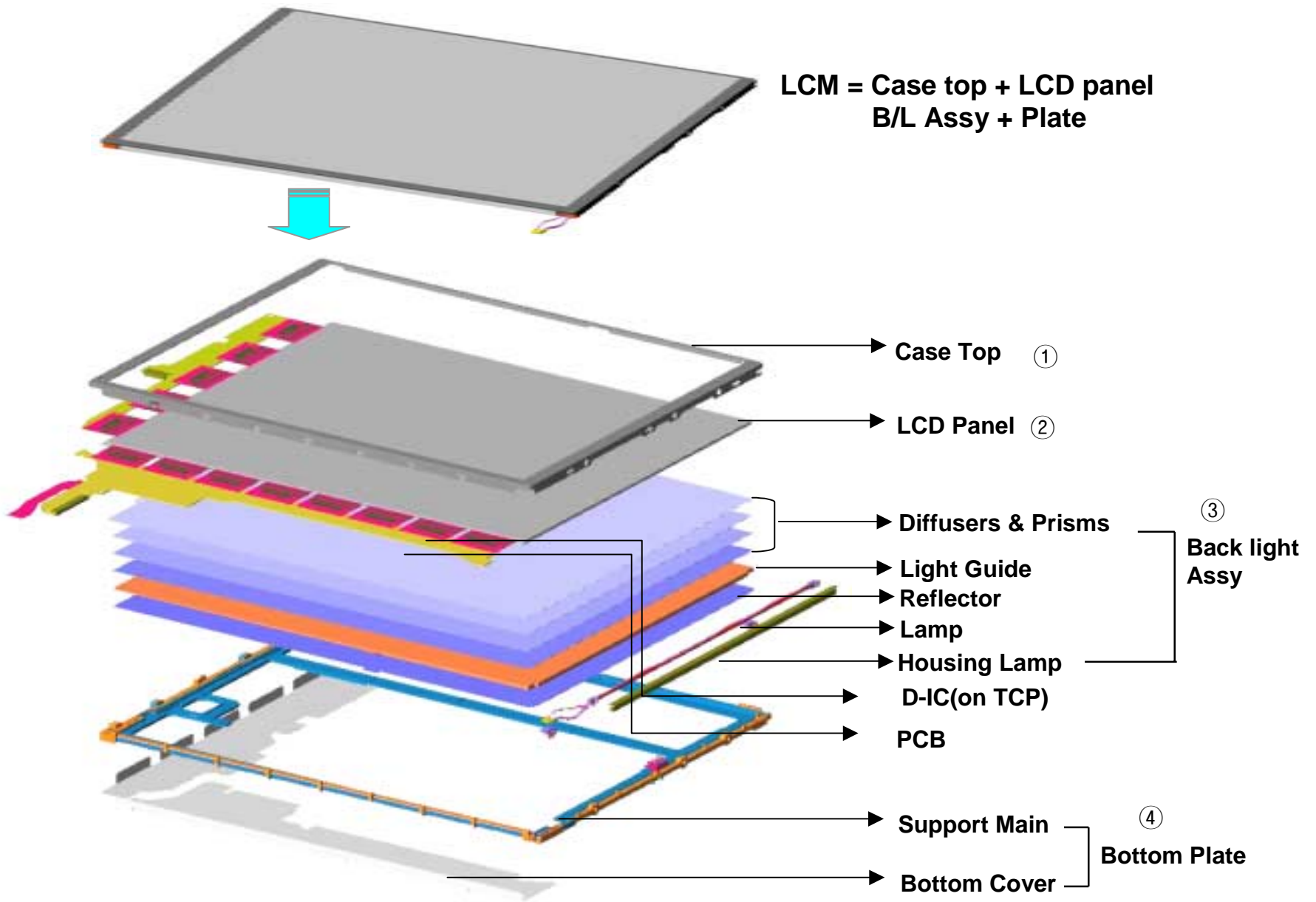
(Braun Tube : Light Emitting Component)



(TFT-LCD : Non-Light Emitting Component)

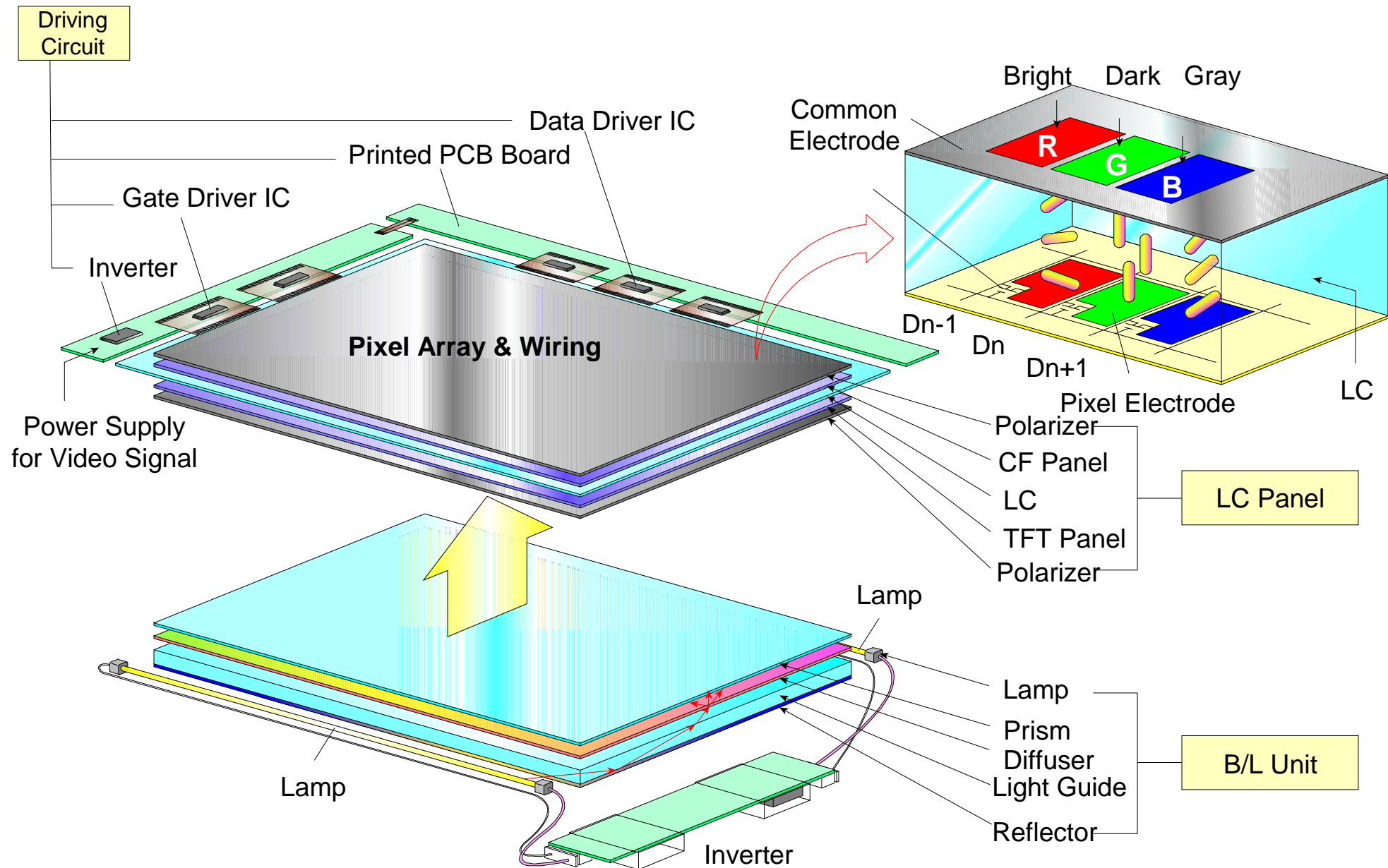


# Structure of LCD Module

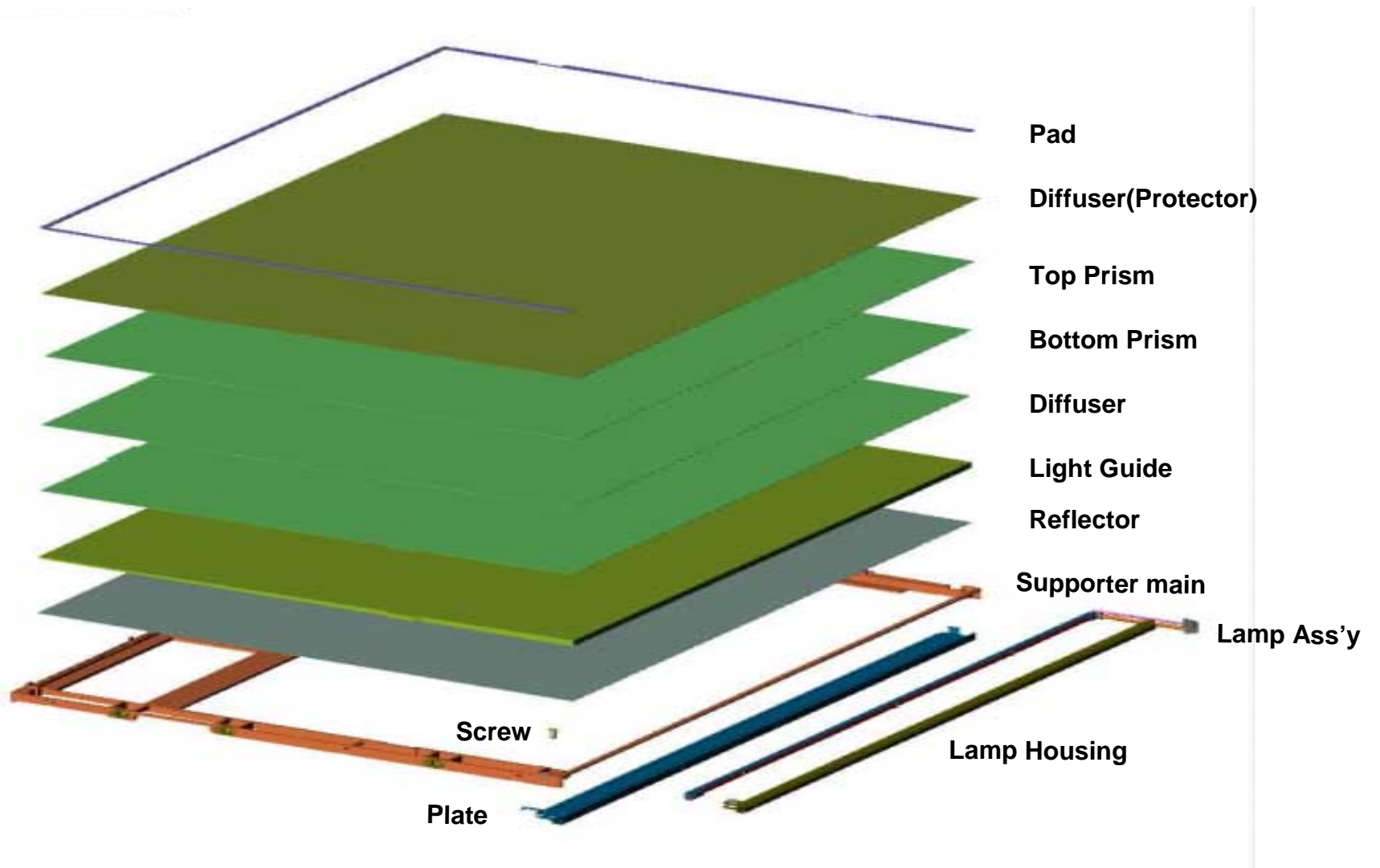




# Structure of LCD Module



# Structure of Back Light Unit



# Function of Back Light

## Structure of Back Light



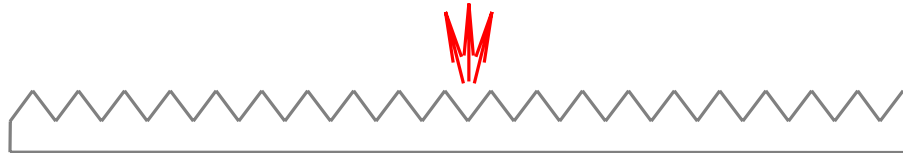
**LCD PANEL**

Display the light controlled by data signal



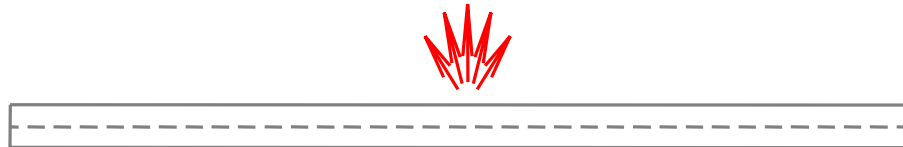
**Diffuser (Protector)**

Same structure as bellow diffuser, Protect the top prism



**Top Prism**

Same function as bottom prism, Increase the luminance up to 1.33 times of bottom prism



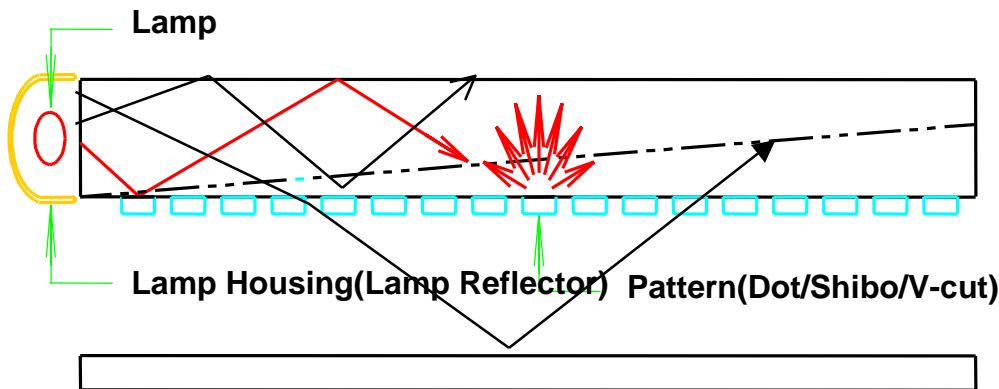
**Bottom Prism**

Concentrate the light and increase the luminance up to 1.55 times of the light guide



**Diffuser**

Uniform and concentrate the light received from light guide



**Light guide (Flat/Wedge)**

Guide the light from lamp and uniform the light

**Reflector**

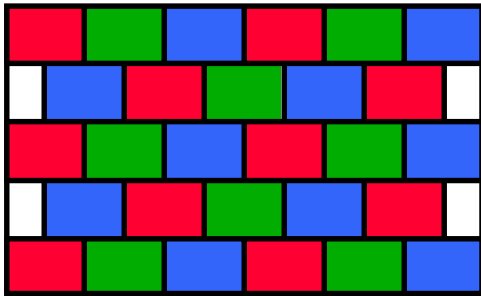
Reflect the leakage light from light guide to reduce the loss of the light injected to the light guide

# Key Parts : Color Filter

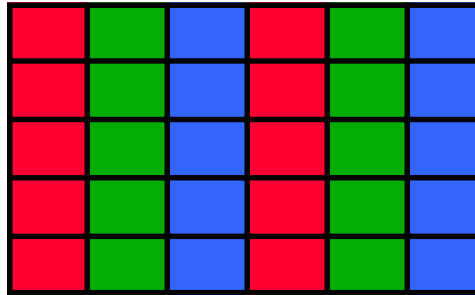
To realize color of the Display, array Red, Green & Blue color paint beneath Upper Glass Panel regularly in accord with Pixel electrode of lower Glass Panel.

## ◆ Kinds of Pixel Array

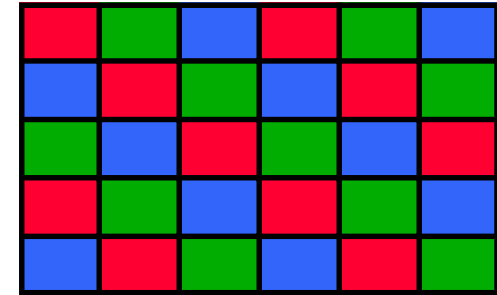
① Delta Array



② Stripe Array

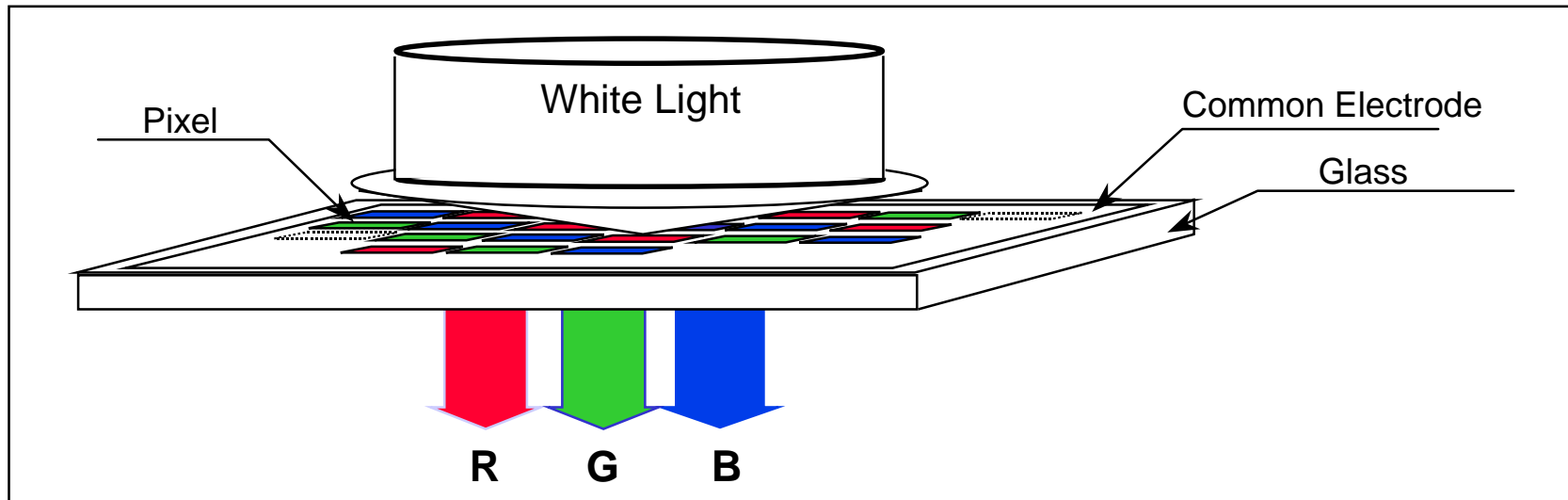


③ Mosaic Array



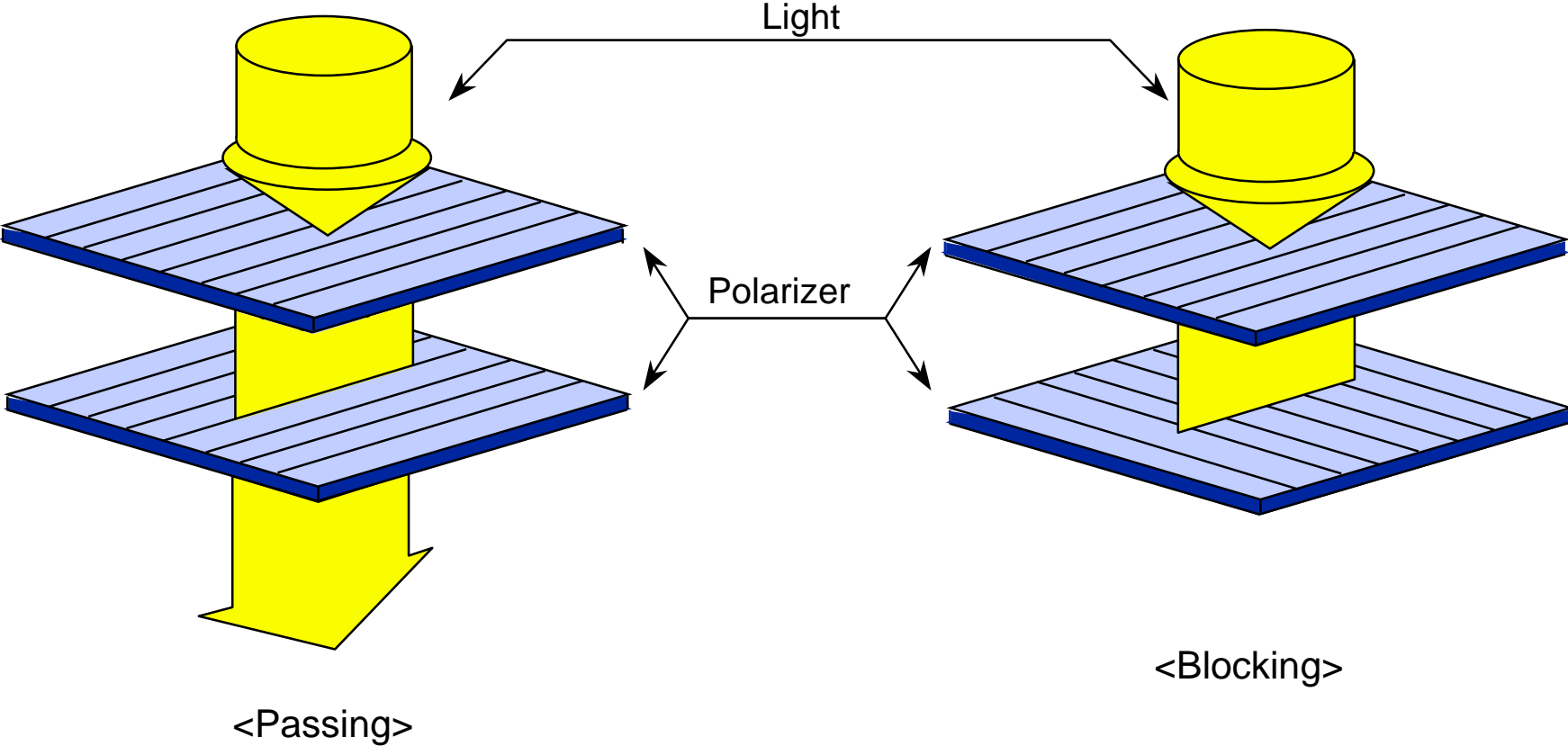
## ◆ The Function of Color Filter

Divide the white light from luminous source into Red, Green & Blue



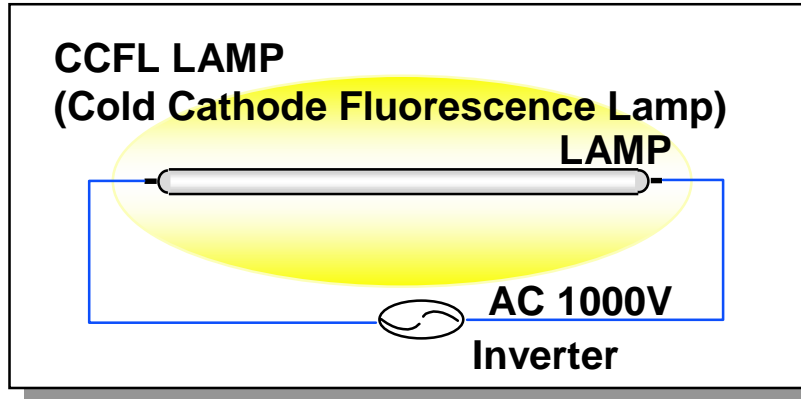
# Key Parts : Polarizer

A kind of filter, which polarize light one direction.



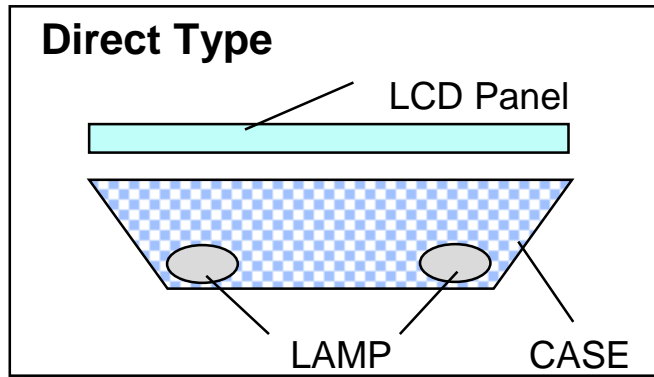
# Key Parts : Back Light

Back Light Unit, located behind TFT-Panel lower Glass, and supplies light to the PANEL.



Can realize White Light  
Long life time (Appr. 25,000HRS)  
Simple Brightness control  
Small Size  
→ Easy to Adhere

## Structure

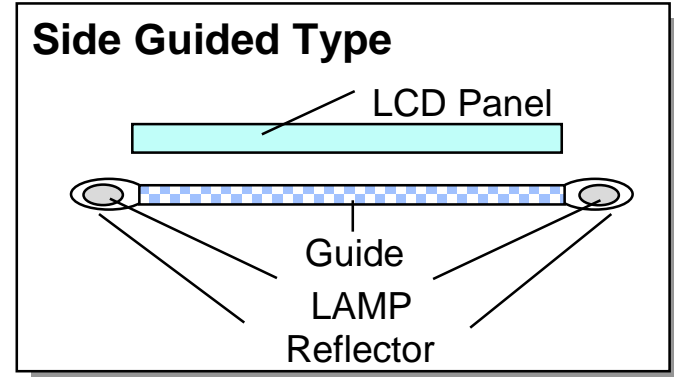


## Merits

High Light Efficiency  
Simple Structure

## Demerits

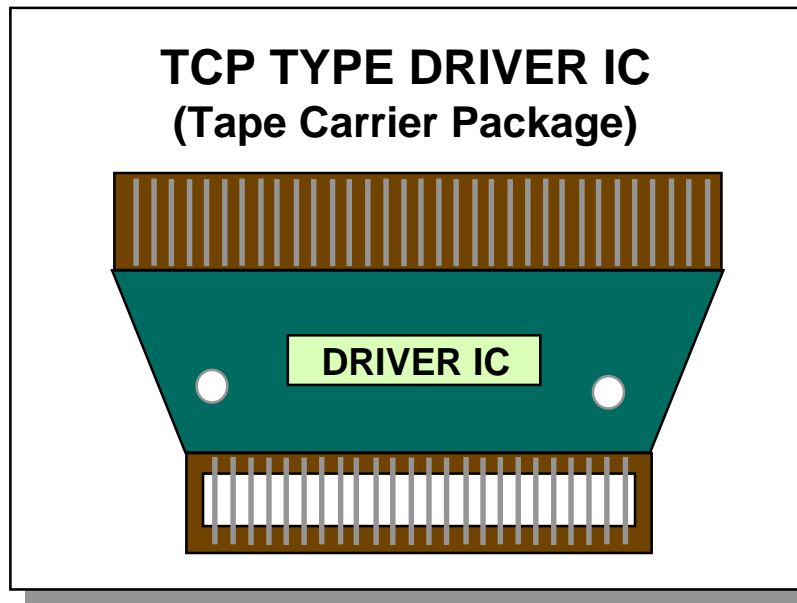
Thick



Slim & Compact Size

Complicated Structure, Expensive  
Low Light Efficiency

Supplies the signal from PCB to TFT-PANEL



**GATE DRIVER IC(8EA) : Horizontal**

Supplies signals from Data line to the Gate of TFT-PANEL sequentially. Each IC controls 128 lines in horizontal.

**SOURCE DRIVER IC(5EA) : Vertical**

Supplies the Pixel Data from SOURCE to each Pixel when the Gate of TFT PANEL ON. Each IC controls 154 lines in vertical.

---

## **2. LCD Market Trends**

- (1) Comparison with other Display devices**
- (2) World Display Market Trend**
- (3) LCD TV Market Trend**
- (4) Guidance of handling LCD products**
- (5) Abbreviations**



# Comparison with other Display devices

		Large Screen	Basic Functions					
		Over 40"	Full Color	Contrast	Brightness	Resolution	View Angle	Response Time
C P T	Normal	△	●	●	●	○	●	●
	Flat	△	●	●	●	○	●	●
LCD		△	●	○	○	●	○	○
PDP*		●	○	●	○	○	●	●
VFD**		△	○	●	○	○	●	●

\*PDP : Plasma Display Panel

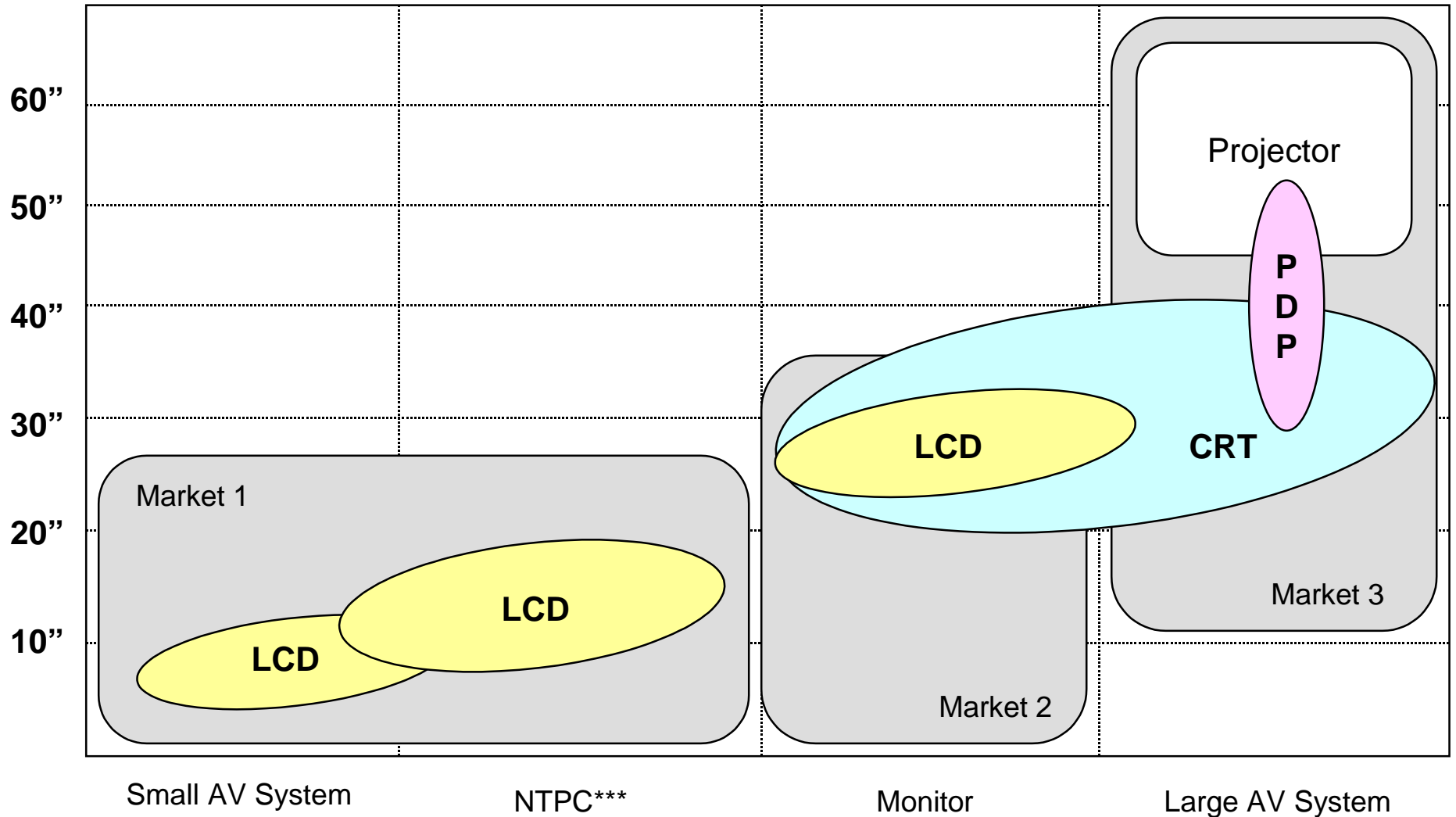
\*\*VFD : Vacuum Fluorescent Display

● : Very Good(Possible to realize)

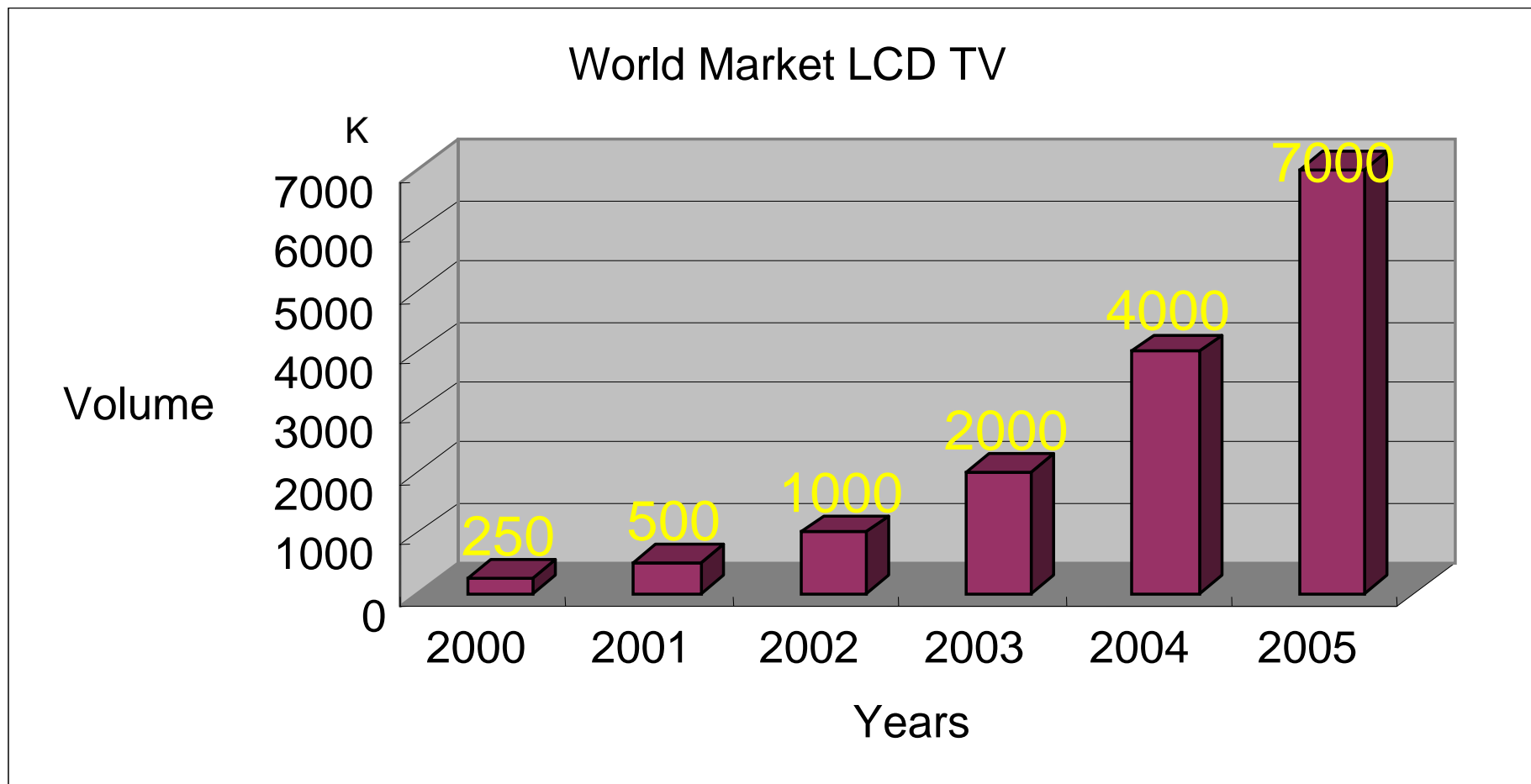
○ : Good(Hard to realize)

△ : Bad(Impossible to realize)

# World Display Market Trend



NTPC : NoteBook PC



Source : IDC JAPAN

# Guidance of handling Color TFT LCD Module

*Color TFT LCD Module is very sensitive both electrically and physically. Users, therefore, are requested to follow the "Guidance of handling color TFT LCD Module" on the followings.*

<p><b>1 Be careful not to make scratch on the polarizer.</b></p> <ul style="list-style-type: none"><li>- Surface of polarizer is soft and can be physically damaged easily.</li><li>- Please do not touch, push or rub polarizer surface with materials over HB hardness.</li></ul>	<p><b>5 High temperature &amp; high humidity reduce the life-time.</b></p> <ul style="list-style-type: none"><li>- LCD is not proper to be used at high temperature and high humidity.</li><li>- Please keep specified temperature and humidity condition.</li></ul>
<p><b>2 Keep clean the surface.</b></p> <ul style="list-style-type: none"><li>- Please wear rubber glove when touch the surface of LCD screen.</li><li>- Please use soft and anti-static material with n-Hexane as cleaner.</li></ul>	<p><b>6 Keep out of Corrosive Gas.</b></p> <ul style="list-style-type: none"><li>- Corrosive gas effect the polarizer and the circuit chemically and cause defects accordingly.</li></ul>
<p><b>3 Keep out of water.</b></p> <ul style="list-style-type: none"><li>- Water on/in the LCD may cause electrical short or corrosion.</li><li>- Please wipe out or dry water carefully.</li></ul>	<p><b>7 Electrostatic discharge can make damage</b></p> <ul style="list-style-type: none"><li>- There are electro-static sensitive components such as CMOS in LCD Module.</li><li>- Please earth human body when handle the LCD. In addition, please do not touch the interface connector pin with bare</li></ul>
<p><b>4 Prevent swift Temperature &amp; Humidity change.</b></p> <ul style="list-style-type: none"><li>- Swift temperature and/or humidity change can make dew or ice which cause nonconformance such as malfunction.</li></ul>	<p><b>8 Do not operate for a long time under the same pattern.</b></p> <ul style="list-style-type: none"><li>- Operating LCD for a long time under the same pattern can cause image persistence and can damage it.</li><li>- Please follow following guidance.<ol style="list-style-type: none"><li>1. Turn the power off when do not use.</li><li>2. Change the pattern periodically.</li></ol></li></ul>

## Abbreviations on LCD Module and TV

No	Terms	Full Description
1	ACF	Anisotropic Conductive Film
2	B/L	Back Light
3	CCFL	Cold Cathode Fluorescent Lamp
4	CF	Color Filter
5	CR	Contrast Ratio ( White / Black )
6	FPD	Flat Panel Display
7	LC	Liquid Crystal
8	LCD	Liquid Crystal Display
9	LCM	Liquid Crystal Module
10	LD	Line Defect
11	MNT	Monitor
12	POL	Polarizer
13	Pixel	Picture Element
14	TAB	Tape Automatic Bonding
15	TCP	Tape Carrier Package
16	TFT	Thin Film Transistor

---

# **LG LCD TV**

## **1) General Specification**

- Key Value**
- Specifications**
- Monitor Features**
- Unique Features**

## **2) Presentation for SVC Engineer**

- Specifications**
- Exploded View**
- Interconnection Guide**
- Block Diagram**
- IIC Adjustment**
- MICOM Pinning & Descriptions**
- Video Processing**
- Audio Processing**

LE/LL/LT-15A10



**KEY VALUE**

- **Great Design**
  - . Modern Style
  - . Slim
  - . Free space
- **Dual Functionality**
  - . Computer Monitor  
Up to XGA 1024X768 85Hz
  - . Independent TV Receiver
- **High-Tech**
  - . LCD
  - . HD Compatible
  - . Component Input(Optional)-ME
  - . SCART Jack(Optional)-EU



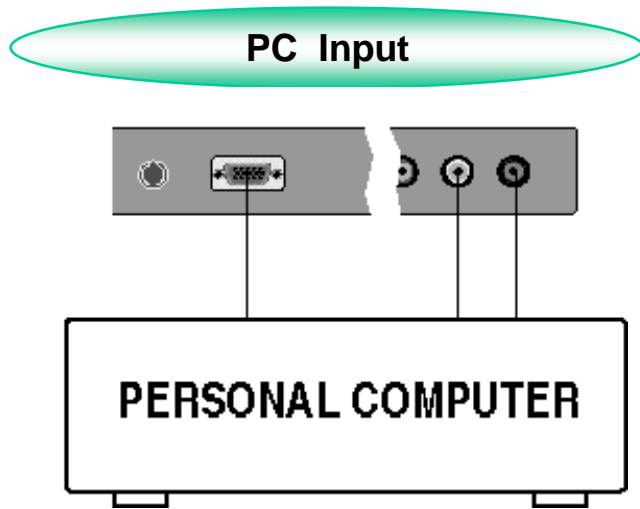
Without Stand



Stand type



Wall mounting



1. Connect the signal cable from the monitor out socket of the personal computer to the input socket of the set.
2. Connect the audio cable from the PC to the Audio socket of the set.
3. Press the TV/AV/PC button to select PC Mode
4. Switch on the PC Mode, and the PC Screen automatically appears on the set. The set can be operated as the PC monitor.

**Note :**

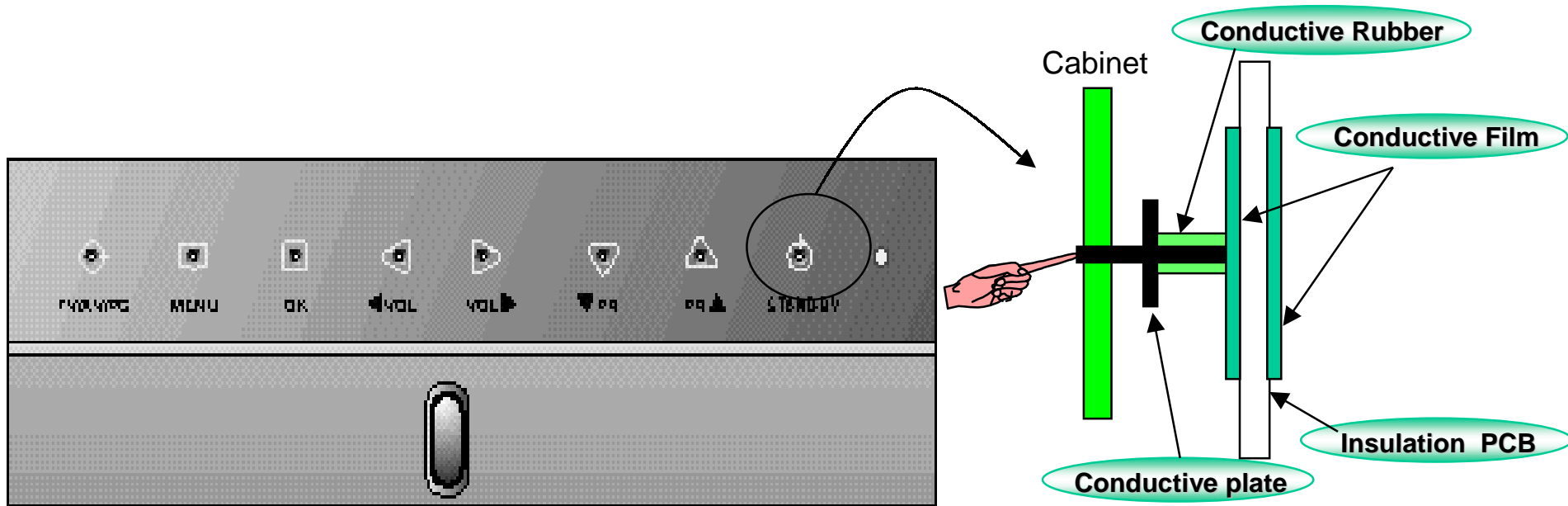
1. Check the PC Mode before exchanging the new monitor(LG), the PC Mode should be within a mode in the table listed . If over XGA mode, after change the PC mode to one mode of table listed ( **If possible, use the 1024 X 768 @60Hz video mode to obtain the best image quality for you. and then exchange the monitor** ).
2. When the PC screen appears on the set, some message may be appear on the screen, and the message is different depend on Window system version( Win98,2000 )--Next Page
3. If you have an Apple Macintosh, **connect the VGA adaptor block from the 3 row 15 pin to 2 row 15 pin with the signal cable and connect the VGA adaptor block to the Macintosh. The cable are not supplied**, such as the signal cable, audio cable, VGA adaptor block for Macintosh PC.

Mode	Resolution	Horizontal Freq.(KHz)	Vertical Freq.)Hz)
VGA	640 X 480	31.5kHz	60Hz
	640 X 480	35kHz	67Hz
	565 X 496	37.9kHz	72Hz
	640 X 480	37.5kHz	75Hz
	640 X 480	43.3kHz	85Hz
	720 X 400	31.5kHz	70Hz
SVGA	800 X 600	35.2kHz	56Hz
	800 X 600	37.9kHz	60Hz
	800 X 600	48.1kHz	72Hz
	800 X 600	46.9kHz	75Hz
	800 X 600	53.7kHz	85Hz
	832 X 624	49.7kHz	75Hz
XGA	1024 X 768	48.4kHz	60Hz
	1024 X 768	56.5kHz	70Hz
	1024 X 768	60.2kHz	75Hz
	1024 X 768	68.7kHz	85Hz



**Soft Touch Control**

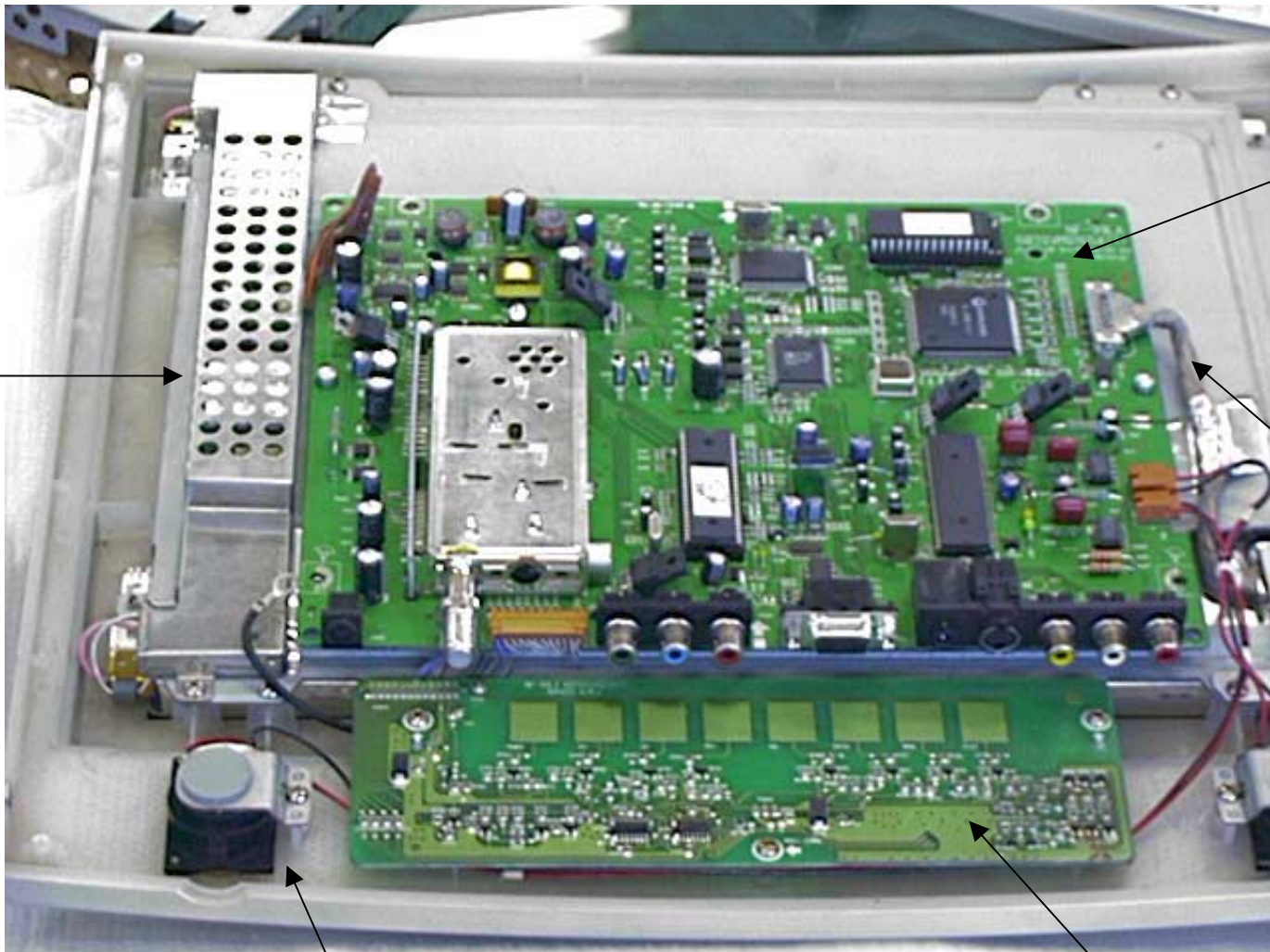
Soft Touch control system, LG's advanced technology, leads customers to the emotional satisfaction. Its main characteristics are Anti-static function when touching besides softness & luxurious looking.



<b>SYSTEM</b>	PAL/SECAM-B/G, SECAM-L/L' PAL/SECAM-B/G,D/K, PAL-I PAL/SECAM-B,D,I, NTSC,4.43AV	LL-15A10 LE-15A10 LT-15A10
<b>POWER</b>	100-240V , 50/60Hz AC/DC Adapter 12V Power consumption : 30 W Stand by : 3W Below	
<b>TUNING</b>	FVS, 100Program(200 Optional) Auto/Manual programming ACMS+ With VPS & TXT Quick View	LT-15A10 (TTS Turbo search Sys.)
<b>VIDEO</b>	PSM -Dynamic, Standard, Mild, Game Digital comb filter Progressive scan	
<b>SOUND</b>	RF Stereo ( A2, NICAM) DASP(4mode) AVL, Balance(stereo) Graphic equalizer Sound output : 1W + 1W (rms)	
<b>OSD</b>	Half-tone OSD Menu ( Window type OSD) Multilanguage * Program List & Edit Mode	
<b>EXTERNAL CONNECTIONS</b>	<b>Rear part</b> .Scart in .Video in .S-VHS in .DVD in ( LT-15A10) .Headphone out .XGA-IN ( D-SUB Jack)	LL/LE-15A10 ( EU Model )  LT-15A10

<b>TELETEXT</b>	FLOF/LIST/TOP*		TOP - Optional
<b>USER CONVENIENT FEATURES</b>	Soft Touch control Auto A/V Child Lock Easy picture control(PSM) Auto sleep Any key power on		
<b>MONITOR</b>	XGA 1024 X 768 85Hz		
<b>LCD Panel</b>	Type Size Pixel Format Display Type Pixel Pitch Color Depth Active Video Area Surface Back Light	Color Active Matrix TFT 15.1" ( 38.35cm) 1024 X 768 Pixel R / G / B Stripe 0.3 X 0.3mm 16Mil. Color, 8 bits 307 X 230mm Anti Glare, Hard Coating 2CCFL	
<b>Optical</b>	Viewing Angle  Luminance Contrast Ratio	Left / Right : 75° Upward : 60° Downward : 55° 250Cd/m <sup>2</sup> 300	Contrast ratio ≥5
<b>PC Input Sync</b>	Input Signal Volt.  Input Signal type Signal Polarity	Low = 0 ~ 0.8V High= 2.1 ~ 5.5V Separator Signal Positive & Negative	
<b>Dot Spec</b>	Dark Dot	1 Dot : Below 4 2 Dot : Below 1 Sub Total : below 5	Neighboring
<b>Dot Spec</b>	Bright Dot	1 Dot : Below 2 2 Dot : None Sub Total : below 2	Neighboring

\*The Life Time is defined as the time at which brightness of lamp is 50% compare to that of initial value at the typical lamp current on condition of continuous operating at 25+/- 2 C.



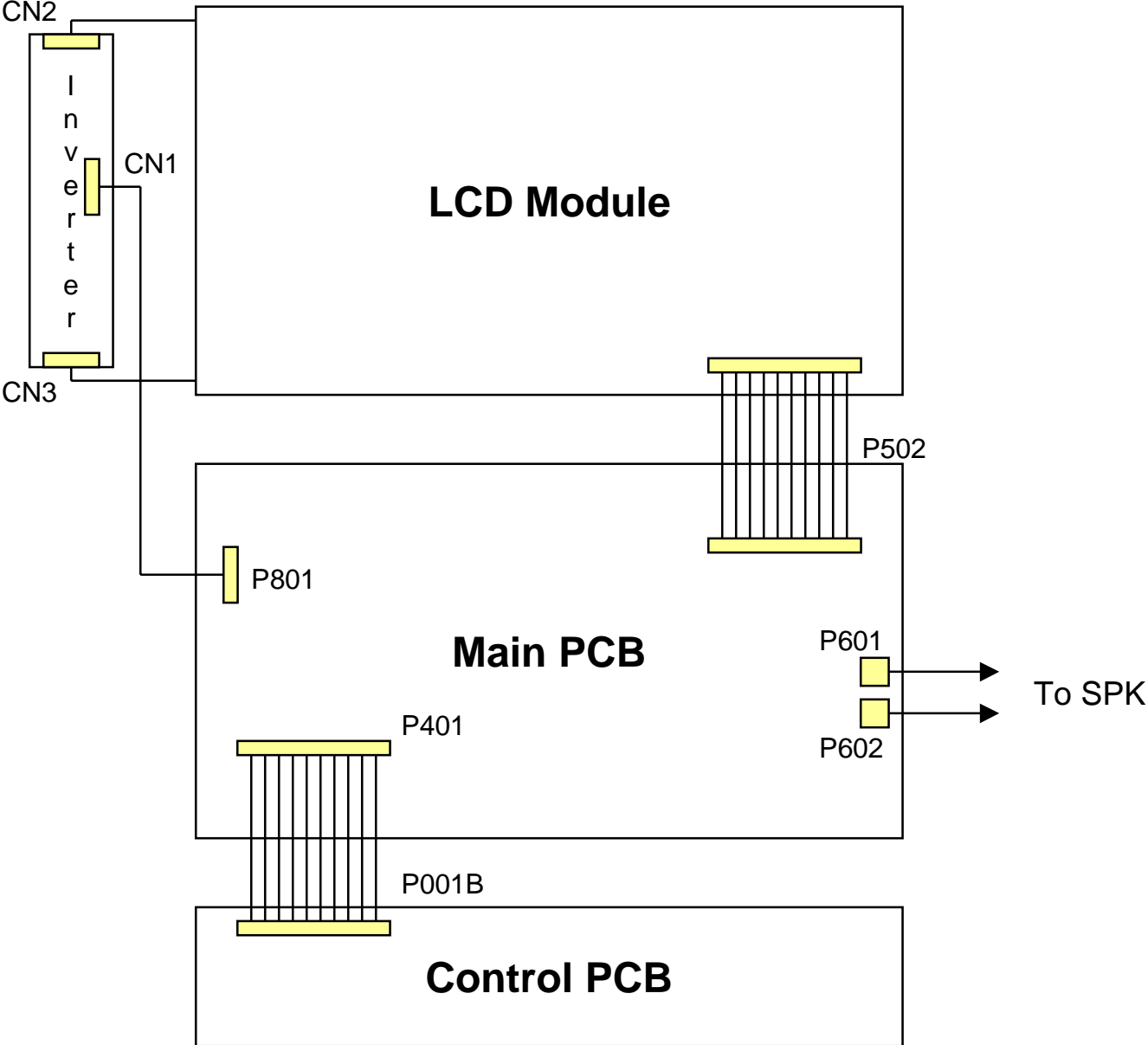
**MAIN PCB**

**INVERTER**

**Connector between  
Main PCB and LCM**

**SPEAKER (R)**

**CONTROL PCB**



"SVC" key, or  
"OK" + "OK"

SVC mode

"YELLOW" key

ADJUSTMENT mode

RD	80
GD	80
BD	80
RO	32
GO	32
BO	32
S-B	23
PC CP	3
<b>50 N AV1</b>	

Average ADJ. Data List		
RD	Drive Red	80
GD	Drive Green	80
BD	Drive Blue	80
RO	Red	32
GO	Green	32
BO	Blue	32

200PR	0
TEXT	1
I II SA	1
TOP	1
SCART	1
A2 ST	1
SYS	2
<b>50 N AV1</b>	
<b>102 Opt 1</b>	

ACMS	0
VOL	0
BBACK	0
LANG	0
<b>50 N AV1</b>	
<b>8 Opt 2</b>	

FP	21
NP	89
SP	38
S1VOL	105
S2VOL	105
<b>50 N AV1</b>	

Initial Data List (PAL)		
FP	FM Prescaler	21
NP	NICAM Prescaler	89
SP	SECAM Prescaler	38
S1VOL	S1 VOL	105
S2VOL	S2 VOL	105

TSS	0
PANEL	0
IIC T	0
INVT	0
MD SA	0
MONO	1
CH+AU	0
T-LAN	14(0-16)
<b>50 N AV1</b>	
<b>4 Opt 3</b>	

50 : Vertical Frequency  
(50=PAL, 60=NTSC)  
N : Mode (N=normal, W=wide)  
AV1 : TV/AV1/AV2

## ◆ OPTION Part

OPTION-1

200PR	PR MEMORY
TEXT	TEXT Option
I II SA	DUAL Mode Save
TOP	TXT MODE
SCART	SCART Option
A2 ST	A2 Stereo
SYS	SYSTEM Select

0 : BG/I/DK  
1 : BG/L  
2 : BG/I/DK/M  
3 : RESERVED

OPTION-2

ACMS	STATION Memory
VOL	VOL Curve Select
BBACK	BLUE BACK Option
LANG	OSD Language

OPTION-3

TSS	Turbo Search System
PANEL	PANEL Option
IIC T	AGC Option
INVT	Inverter Option
MD SA	Last Mode Save
MONO	MONO Option
CH+AU	CHINA, AU Option
T-LAN	TXT Language(0-16)

OPTION-4

OSD	OSD Language
T-LAN	TEXT Language

## OPTION - 1

OPTION	CODE	FUNCTION	REMARK
200PR	0	100 PROGRAM	Only China without TXT
	1	200 PROGRAM	
TEXT	0	Without TEXT	
	1	TEXT	
I II SA	0	DUAL I	
	1	MODE SAVE	
TOP	0	No TOP TEXT	
	1	TOP TEXT	
SCART	0	W/O SCART	
	1	WITH SCART	
A2 ST	0	NO A2 STEREO	
	1	A2 STEREO	
SYS	0	BG//DK	LE Model(EU)
	1	BG/L	LL Model(FRANCE)
	2	BG//DK/M	LT Model(Middle East)
	3	RESERVED	

## OPTION - 2

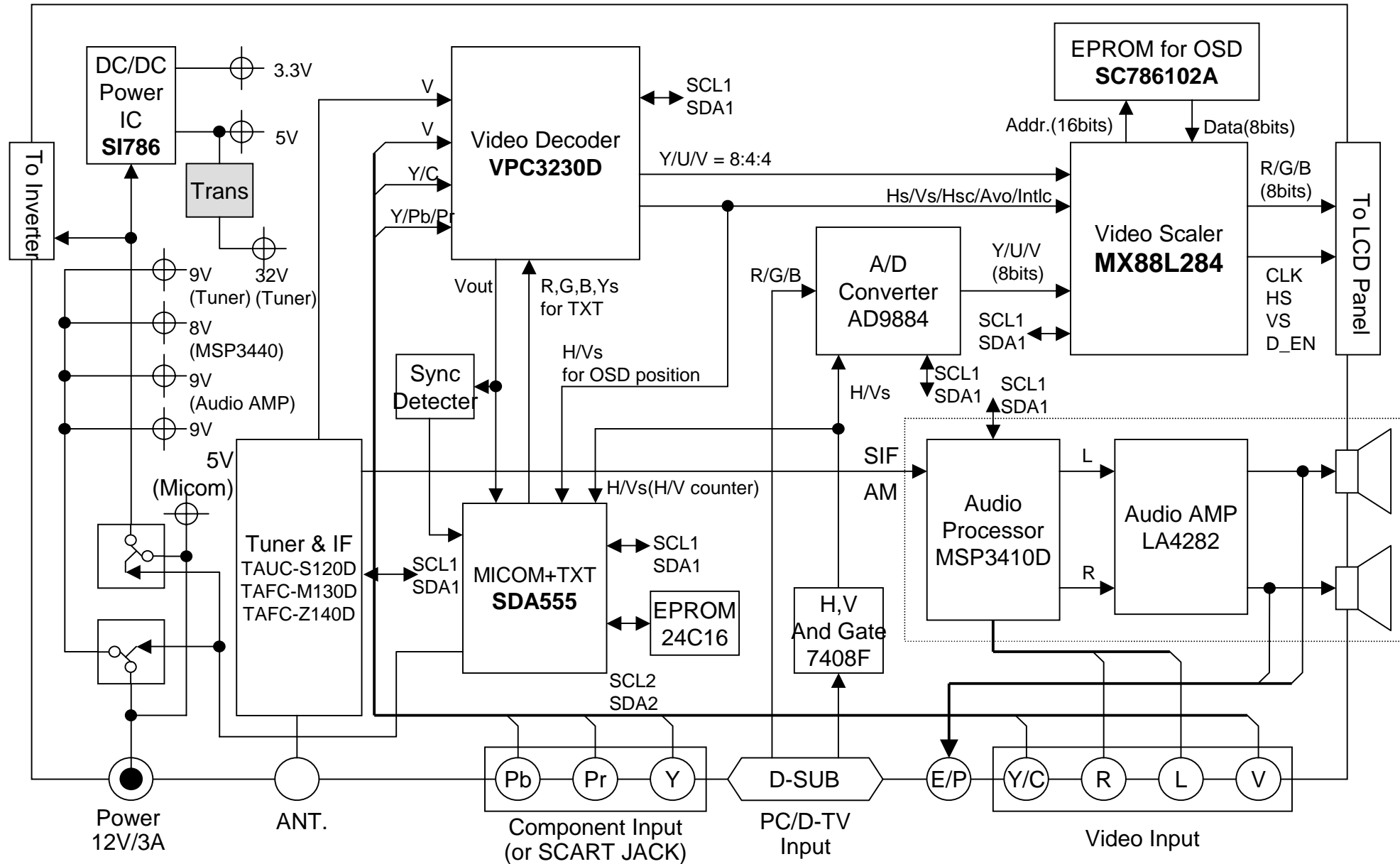
OPTION	CODE	FUNCTION	REMARK
ACMS	0	No Channel Name Memory	Only AUSTRALIA
	1	Channel Name Memory	Except AUSTRALIA
VOL	0	Slow VOLUME Change	Normal Curve
	1	Steep VOLUME Change	Rushed Curve
BBACK	0	W/O BLUE BACK	
	1	With BLUE BACK	
LANG	0	ENG Only	
	1	EU-SEA	
	2	EU ETC	
	3	FARSI	
	4	ARAB URDU	
	5	E+CHINA	
	6	RESERVED	
7	RESERVED		

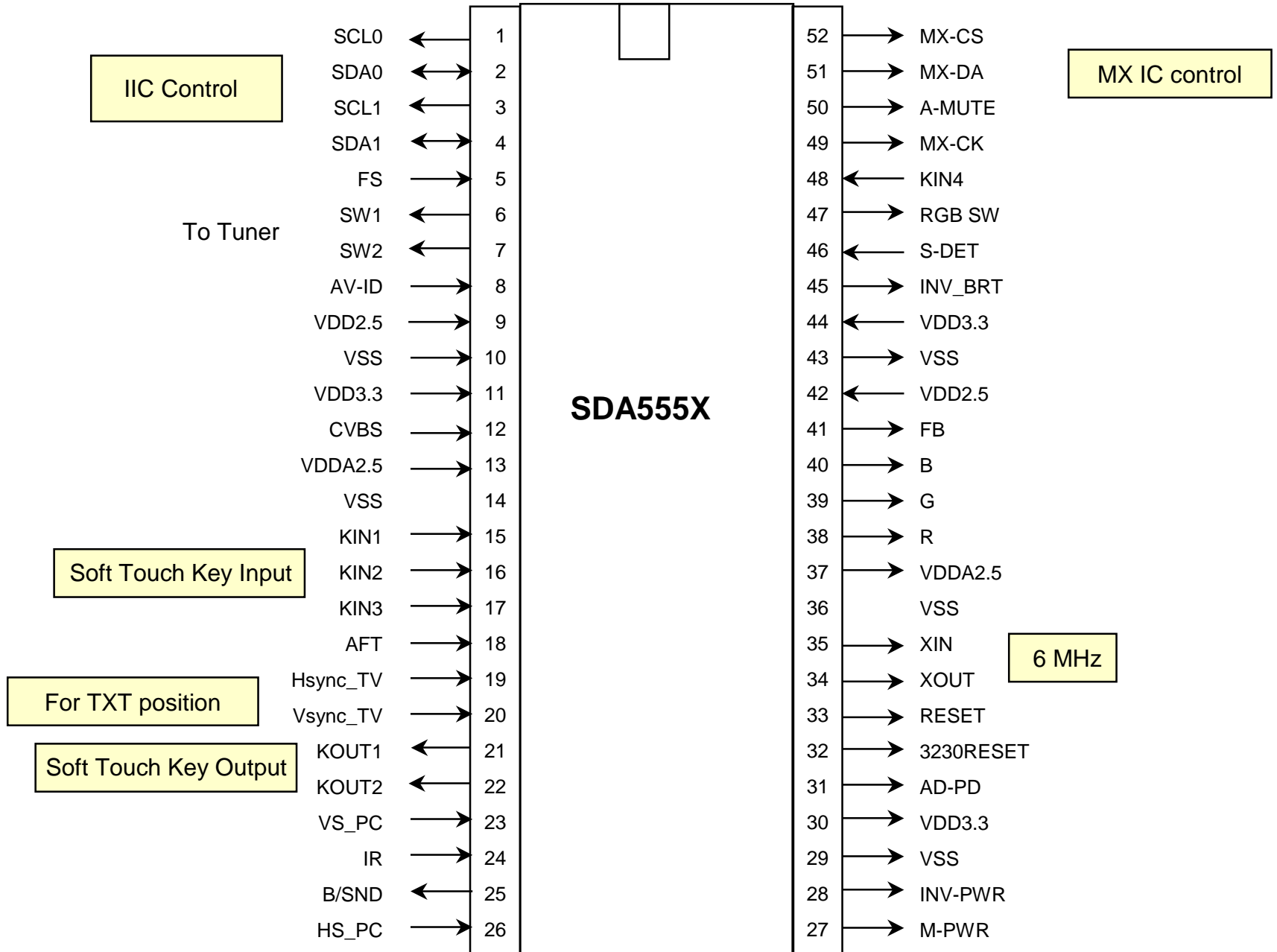
## OPTION - 3

OPTION	CODE	FUNCTION	REMARK
TSS	0	W/O Turbo Search System	
	1	WITH Turbo Search	
PANEL	0	PANEL	
	1	PANEL	
IIC T	0	MICOM AFT	
	1	TUNER AGC	
INVT	0	INVERTER	
	1	INVERTER	
MD SA	0	Last Mode Save	RF, AV Mode
	1	Last Mode Save	All Modes
MONO	0	No Forcible MONO Mode	
	1	Forcible MONO Mode	Only TUNISIA
CH+AU	0	Option OFF	Except China & Australia
	1	Option ON	China & Australia
T-LAN	2	TXT Language Select	0~16

## TELETXT

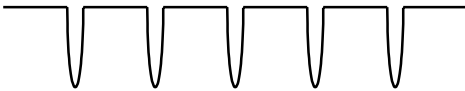
0	WEST EU	9	TURK GRE3
1	EAST EU1	10	ARAB FRA
2	TURKEY EU	11	ARAB ENG
3	EAST EU2	12	ARAB HEB1
4	CYRILLIC1	13	ARAB HEB2
5	CYRILLIC2	14	FARSI ENG
6	CYRILLIC3	15	FARSI FRA
7	TURK GRE1	16	FARSI ALL
8	TURK GRE2		







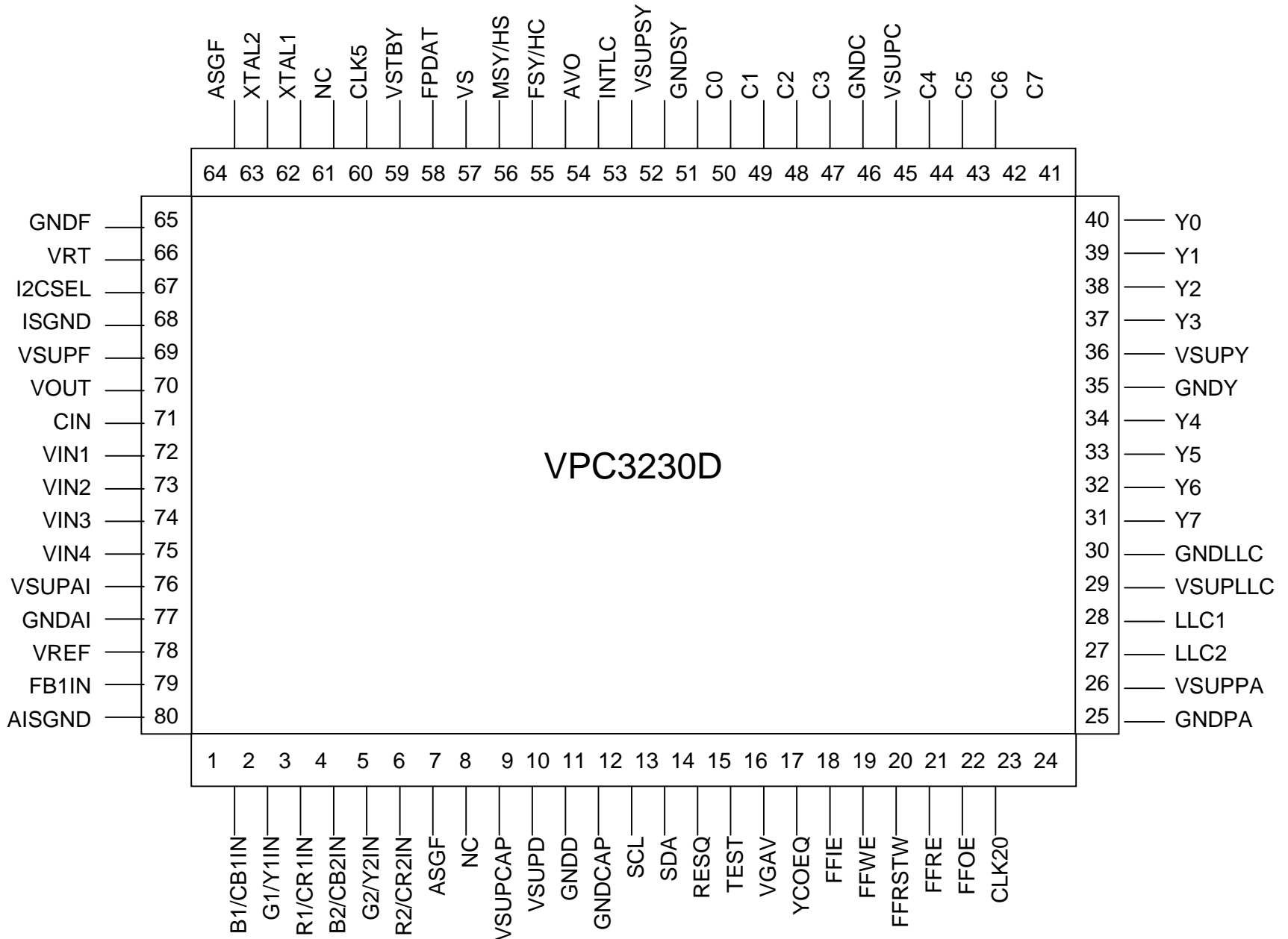
No	Symbol	Function																		
1 2	SCL0 SDA0	.IIC Control with EEPROM																		
3 4	SCL1 SDA1	.IIC control with other Devices(TUNER,VPC3230,MSP3410,etc)																		
5	FS	.Factory Service mode(Data control during production)																		
6 7	SW1 SW2	.TUNER System control signal <table border="1" data-bbox="665 539 1162 735"> <thead> <tr> <th></th> <th>SW1</th> <th>SW2</th> </tr> </thead> <tbody> <tr> <td>BG/I/DK</td> <td>H</td> <td>L</td> </tr> <tr> <td>NTSC-M</td> <td>L</td> <td>H</td> </tr> <tr> <td>B/G</td> <td>L</td> <td>L</td> </tr> <tr> <td>SECAM-L</td> <td>H</td> <td>L</td> </tr> <tr> <td>SECAM-L'</td> <td>H</td> <td>H</td> </tr> </tbody> </table>		SW1	SW2	BG/I/DK	H	L	NTSC-M	L	H	B/G	L	L	SECAM-L	H	L	SECAM-L'	H	H
	SW1	SW2																		
BG/I/DK	H	L																		
NTSC-M	L	H																		
B/G	L	L																		
SECAM-L	H	L																		
SECAM-L'	H	H																		
8	AV-ID	.AV identification signal input from pin8 of SCART																		
9	VDD2.5	.Voltage Supply(2.5V)																		
10	VSS	.Ground																		
11	VDD3.3	.Voltage Supply(3.3V)																		
12	CVBS	.Composite video signal input for TXT process																		
13	VDDA2.5	.Voltage Supply for Analog circuit																		
14	VSS	.Ground																		
15 16 17	KIN1 KIN2 KIN3	.Signal Input from Soft touch panel																		

No	Symbol	Function
18	AFT	.AFT signal input
19 20	Hsync_TV Vsync_TV	.H-Sync & V-Sync for TXT position from VPC3230
21 22	KOUT1 KOUT2	.Signal Output to Soft Touch panel 
23 26	VS_PC HS_PC	.Check the signal 100msec interval for PC signal
24	IR	.Remocon signal input
25	B/SND	.Beeper Sound output to Soft Touch PCB
27	M-PWR	.Main Power Control
28	INV-PWR	.Inverter Power control
29	VSS	.Ground
30	VDD3.3	.Voltage Supply(3.3V)
31	AD-PD	.Power control for AD9884(IC201). Turn off when Video & RF mode.
32	3230RESET	.Reset VPC3230 & MX IC when power on
33	RESET	.Monitors Main power supply for MICOM operation

No	Symbol	Function
34 35	XOUT XIN	.Main crystal(6MHz) connection for MICOM operation
36	VSS	.Ground
37	VDDA2.5	.Voltage Supply(2.5V)
38 39 40	R G B	.Teletext R,G,B signal output
41	FB	.Fast Blanking signal for Teletext
42	VDD2.5	.Voltage Supply(2.5V)
43	VSS	.Ground
44	VDD3.3	.Voltage Supply(3.3V)
45	INV_BRT	.Brightness control to Inverter(PWN control)
46	S-DET	.SCART FB signal input from 16 pin for Auto AV function
47	RGB SW	.Control RGB switching IC
48	KIN4	.Key Input from Soft Touch panel
49	MX-CK	.Clock output terminal to MX IC(IC501)

---

No	Symbol	Function
50	A-MUTE	.Sound Mute control when Channel up/down, Mode change & Power on/off.
51 52	MX-DA MX-CS	.Data communication terminal with MX IC(Data & CS)



## 1. Features

### Video Decoding

- 4 Composite inputs, 1 S-VHS input
- Composite video & sync output
- integrated high-quality A/D converters
- Adaptive 2H comb filter Y/C separator
- 1H NTSC comb filter
- Multi-standard color decoder(1 Crystal)
- Multi-standard sync decoder
- Black line detector

### Video Decoding

- Horizontal scaling(0.25 to 4)
- Panorama vision
- Black level expander
- Dynamic peaking
- Soft limiter(gamma correction)
- Color transient improvement

### RGB Processing

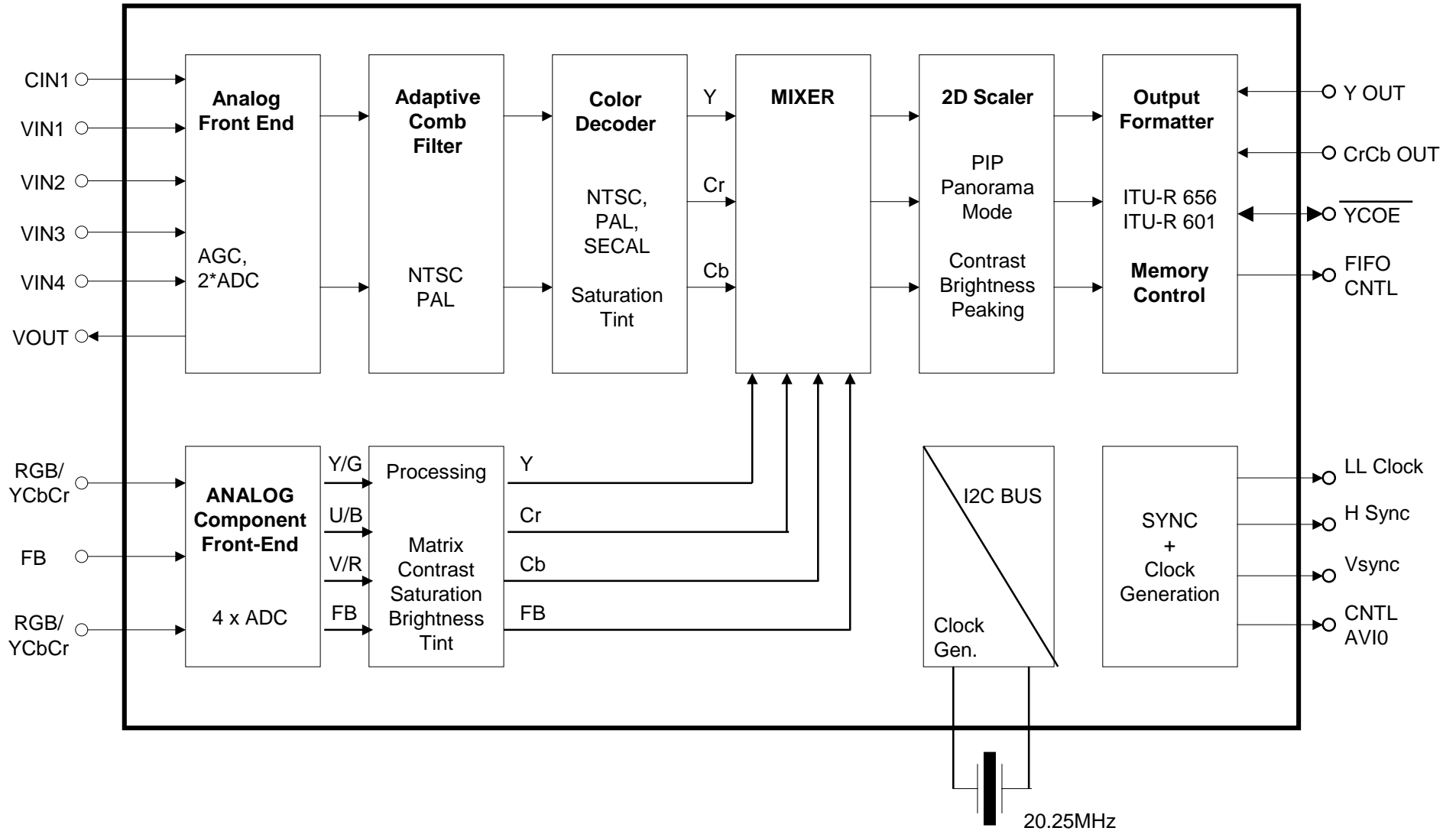
- Programmable RGB matrix
- Digital color bus interface
- Additional analog RGB/Fast blank input
- Half contrast switch
- Picture frame generator

### Deflection

- Scan velocity modulation output
- High performance H/V deflection
- Separate ADC for tube measurements
- EHT compensation

### Miscellaneous

- One 20.25MHz crystal, few external components
- Embedded RISC controller(80 MIPS)
- I<sup>2</sup>C Bus interface
- Single 5V power supply
- Submicrom COMS technology
- 64 pin PSDIP package



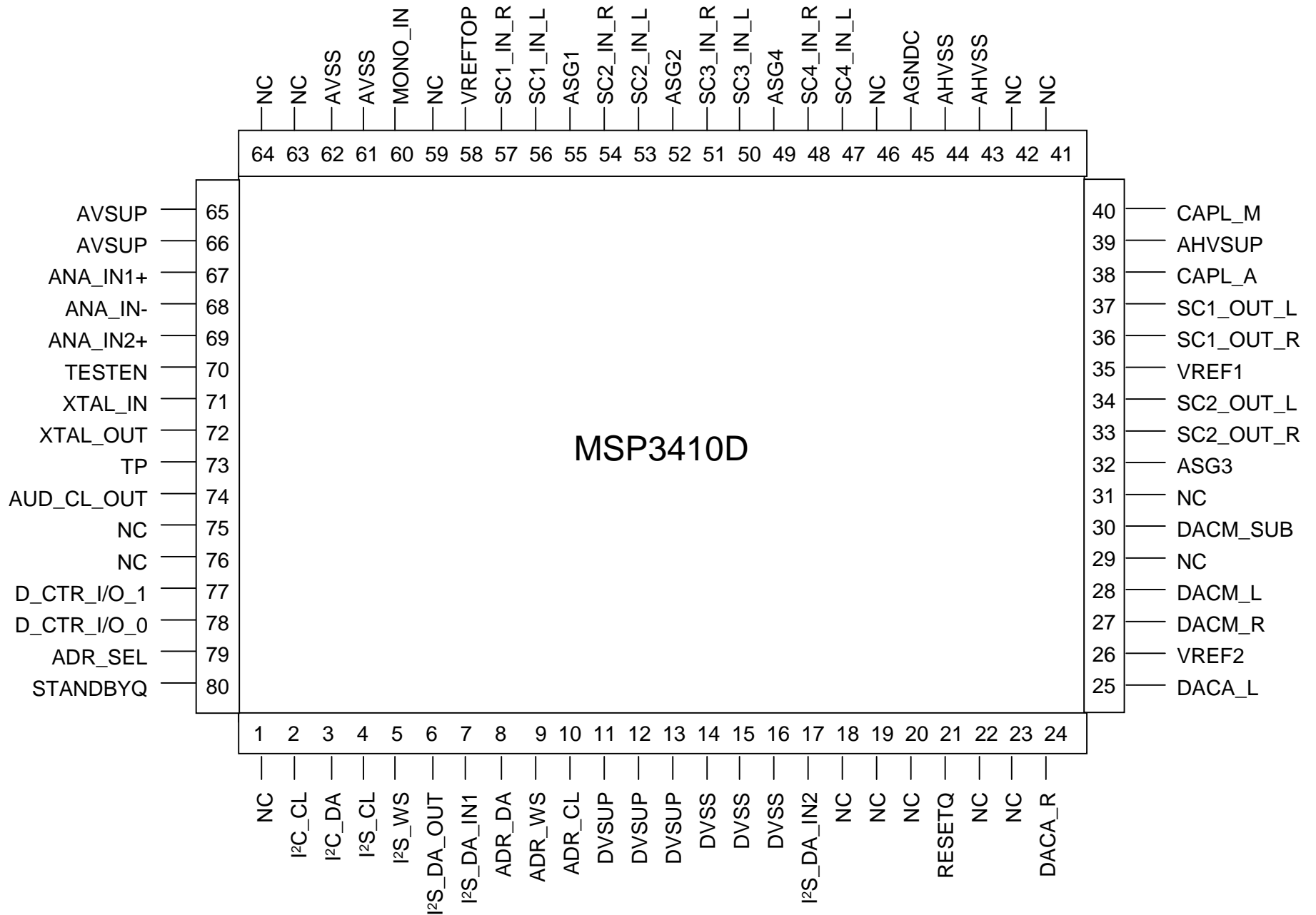
Pin No.	Pin Name	Type	Connection (if not used)	Short Description
1	B1/CB1IN	IN	VREF	Blue1/Cb1 Analog Component Input
2	G1/Y1IN	IN	VREF	Green1/Y1 Analog Component Input
3	R1/CR1IN	IN	VREF	Red1/Cr1 Analog Component Input
4	B2/CB2IN	IN	VREF	Blue2/Cb2 Analog Component Input
5	G2/Y2IN	IN	VREF	Green2/Y2 Analog Component Input
6	R2/CR2IN	IN	VREF	Red2/Cr2 Analog Component Input
7	ASGF		X	Analog Shield GND F
8	NC	-	LV or GND	No connected
9	V SUPCAP	SUPPLYD	X	Supply Voltage, Digital Decoupling Circuitry
10	V SUPD	SUPPLYD	X	Supply Voltage, Digital Circuitry
11	GND D	SUPPLYD	X	Ground, Digital Circuitry
12	GND CAP	SUPPLYD	X	Ground, Digital Decoupling Circuitry
13	SCL	IN/OUT	X	I 2 C Bus Clock
14	SDA	IN/OUT	X	I 2 C Bus Data
15	RESQ	IN	X	Reset Input, Active Low
16	TEST	IN	GND D	Test Pin, connect to GND D
17	VGAV	IN	GND D	VGAV Input
18	YCOEQ	IN	V SUPD	Y/C Output Enable Input, Active Low
19	FFIE	OUT	LV	FIFO Input Enable
20	FFWE	OUT	LV	FIFO Write Enable
21	FFRSTW	OUT	LV	FIFO Reset Write/Read
22	FFRE	OUT	LV	FIFO Read Enable
23	FFOE	OUT	LV	FIFO Output Enable
24	CLK20	IN/OUT	LV	Main Clock Output 20.25 MHz

Pin No.	Pin Name	Type	Connection (if not used)	Short Description
25	GND PA	SUPPLYD	X	Ground, Pad Decoupling Circuitry
26	V SUPPA	SUPPLYD	X	Supply Voltage, Pad Decoupling Circuitry
27	LLC2	OUT	LV	Double Clock Output
28	LLC1	IN/OUT	LV	Clock Output
29	V SUPLLC	SUPPLYD	X	Supply Voltage, LLC Circuitry
30	GND LLC	SUPPLYD	X	Ground, LLC Circuitry
31	Y7	OUT	GND	Picture Bus Luma (MSB)
32	Y6	OUT	GND	Picture Bus Luma
33	Y5	OUT	GND	Picture Bus Luma
34	Y4	OUT	GND	Picture Bus Luma
35	GND Y	SUPPLYD	X	Ground, Luma Output Circuitry
36	V SUPY	SUPPLYD	X	Supply Voltage, Luma Output Circuitry
37	Y3	OUT	GND	Y Picture Bus Luma
38	Y2	OUT	GND	Y Picture Bus Luma
39	Y1	OUT	GND	Y Picture Bus Luma
40	Y0	OUT	GND	Y Picture Bus Luma(LSB)
41	C7	OUT	GND	Picture Bus Chroma (MSB)
42	C6	OUT	GND	Picture Bus Chroma
43	C5	OUT	GND	Picture Bus Chroma
44	C4	OUT	GND	Picture Bus Chroma
45	V SUPC	SUPPLYD	X	Supply Voltage, Chroma Output Circuitry
46	GND C	SUPPLYD	X	Ground, Chroma Output Circuitry
47	C3	OUT	GND	Picture Bus Chroma
48	C2	OUT	GND	Picture Bus Chroma



Pin No.	Pin Name	Type	Connection (if not used)	Short Description
49	C1	OUT	GND	Picture Bus Chroma
50	C0	OUT	GND	Picture Bus Chroma(LSB)
51	GND SY	SUPPLYD	X	Ground, Sync Pad Circuitry
52	V SUPSY	SUPPLYD	X	Supply Voltage, Sync Pad Circuitry
53	INTLC	OUT	LV	Interlace Output
54	AVO	OUT	LV	Active Video Output
55	FSY/HC	OUT	LV	Front Sync/ Horizontal Clamp Pulse
56	MSY/HS	IN/OUT	LV	Main Sync/Horizontal Sync Pulse
57	VS	OUT	LV	Vertical Sync Pulse
58	FPDAT	IN/OUT	LV	Front-End/ Back-End Data
59	V STBY	SUPPLYA	X	Standby Supply Voltage
60	CLK5	OUT	LV	CCU 5 MHz Clock Output
61	NC	-	LV or GNDd	No connected
62	XTAL1	IN	X	Analog Crystal Input
63	XTAL2	OUT	X	Analog Crystal Output
64	ASGF		X	Analog Shield GND F
65	GND F	SUPPLYA	X	Ground, Analog Front-End
66	VRT	OUT	X	Reference Voltage Top, Analog
67	I2CSEL	IN	X	I 2 C Bus Address Select
68	ISGND	SUPPLYA	X	Signal Ground for Analog Input, connect to GND F
69	V SUPF	SUPPLYA	X	Supply Voltage, Analog Front-End
70	VOUT	OUT	LV	Analog Video Output

Pin No.	Pin Name	Type	Connection (if not used)	Short Description
71	CIN	IN	LV*	Chroma / Analog Video 5 Input
72	VIN1	IN	VRT*	Video 1 Analog Input
73	VIN2	IN	VRT	Video 2 Analog Input
74	VIN3	IN	VRT	Video 3 Analog Input
75	VIN4	IN	VRT	Video 4 Analog Input
76	V SUPAI	SUPPLYA	X	Supply Voltage, Analog Component Inputs Front-End
77	GND AI	SUPPLYA	X	Ground, Analog Component Inputs Front-End
78	VREF	OUT	X	Reference Voltage Top, Analog Component Inputs Front-End
79	FB1IN	IN	VREF	Fast Blank Input
80	AISGND	SUPPLYA	X	Signal Ground for Analog Component Inputs, connect to GND AI



# Presentation for SVC Engineer

# Audio Processing - MSP3410D

Pin No.	Pin Name	Type	Connection (if not used)	Short Description
1	NC		LV	Not connected
2	I2C_CL	IN/OUT	OBL	I2Cclock
3	I2C_DA	IN/OUT	OBL	I2C data
4	I2S_CL	IN/OUT	LV	I2S clock
5	I2S_WS	IN/OUT	LV	I2S word strobe
6	I2S_DA_O	OUT	LV	I2S data output
7	I2S_DA_IN	IN	LV	I2S1 data input
8	ADR_DA	OUT	LV	ADR data output
9	ADR_WS	OUT	LV	ADR word strobe
10	ADR_CL	SUPPLYD	X	Supply Voltage, Digital Circuitry
11	DVSUP	SUPPLYD	X	Ground, Digital Circuitry
12	DVSUP	SUPPLYD	X	Ground
13	DVSUP	IN/OUT	X	I 2 C Bus Clock
14	DVSS	IN/OUT	X	I 2 C Bus Data
15	DVSS	IN	X	Reset Input, Active Low
16	DVSS	IN	GND D	Test Pin, connect to GND D
17	I2S_DA_IN	IN	GND D	VGAV Input
18	NC	IN	V SUPD	Y/C Output Enable Input, Active Low
19	NC	OUT	LV	FIFO Input Enable
20	NC	OUT	LV	FIFO Write Enable
21	RESET_Q	OUT	LV	FIFO Reset Write/Read
22	NC	OUT	LV	FIFO Read Enable
23	NC	OUT	LV	FIFO Output Enable
24	DACA_R	IN/OUT	LV	Main Clock Output 20.25 MHz
25	DACA_R	SUPPLYD	X	Ground

Pin No.	Pin Name	Type	Connection (if not used)	Short Description
26	V SUPPA	SUPPLYD	X	Supply Voltage
27	LLC2	OUT	LV	Double Clock Output
28	LLC1	IN/OUT	LV	Clock Output
29	V SUPLLC	SUPPLYD	X	Supply Voltage, LLC Circuitry
30	GND LLC	SUPPLYD	X	Ground, LLC Circuitry
31	Y7	OUT	GND	Picture Bus Luma (MSB)
32	Y6	OUT	GND	Picture Bus Luma
33	Y5	OUT	GND	Picture Bus Luma
34	Y4	OUT	GND	Picture Bus Luma
35	GND Y	SUPPLYD	X	Ground, Luma Output Circuitry
36	V SUPY	SUPPLYD	X	Supply Voltage, Luma Output Circuitry
37	Y3	OUT	GND	Y Picture Bus Luma
38	Y2	OUT	GND	Y Picture Bus Luma
39	Y1	OUT	GND	Y Picture Bus Luma
40	Y0	OUT	GND	Y Picture Bus Luma(LSB)
41	C7	OUT	GND	Picture Bus Chroma (MSB)
42	C6	OUT	GND	Picture Bus Chroma
43	C5	OUT	GND	Picture Bus Chroma
44	C4	OUT	GND	Picture Bus Chroma
45	V SUPC	SUPPLYD	X	Supply Voltage, Chroma Output Circuitry
46	GND C	SUPPLYD	X	Ground, Chroma Output Circuitry
47	C3	OUT	GND	Picture Bus Chroma
48	C2	OUT	GND	Picture Bus Chroma
49	C1	OUT	GND	Picture Bus Chroma
50	C0	OUT	GND	Picture Bus Chroma(LSB)

Pin No.	Pin Name	Type	Connection (if not used)	Short Description
51	GND SY	SUPPLYD	X	Ground, Sync Pad Circuitry
52	V SUPSY	SUPPLYD	X	Supply Voltage, Sync Pad Circuitry
53	INTLC	OUT	LV	Interlace Output
54	AVO	OUT	LV	Active Video Output
55	FSY/HC	OUT	LV	Front Sync/ Horizontal Clamp Pulse
56	MSY/HS	IN/OUT	LV	Main Sync/Horizontal Sync Pulse
57	SC1_in_R	IN	LV	SCART 1input,right
58	VREFTOP		OBL	Reference voltage IF A/D converter
59	NC		LV	Not connected
60	MONO_IN	IN	LV	Mono input
61	AVSS		OBL	Analog ground
62	AVSS		OBL	Analog ground
63	NC		LV	Not connected
64	NC		LV	Not connected
65	AVSUP		OBL	Analog power supply 5V
66	AVSUP		OBL	Analog power supply 5V
67	ANA_IN+	IN	LV	IF input 1
68	ANA_IN-	IN	AVSS via 56pF/LV	IF common{can be left vacant,only if IF input1 is also not in use}
69	ANA_IN2+	IN	AVSS via 56pF/LV	IF input{can be left vacant,only if IF input1 is also not in use}
70	TESTEN	IN	OBL	Test pin
71	XTAL_IN	IN	OBL	Crystal oscillator

Pin No.	Pin Name	Type	Connection (if not used)	Short Description
72	XTAL_OUT	OUT	OBL	Crystal oscillator
73	TP		LV	Test pin
74	AUD_CLK	OUT	LV	Audio clock output(18.432MHz)
75	NC		LV	Not connected
76	NC		LV	Not connected
77	D_CTR_I/O	IN/OUT	LV	D_CTR_I/O_1
78	D_CTR_I/O	IN/OUT	LV	D_CTR_I/O_0
79	ADR_SEL	IN	OBL	I2C Bus address select
80	STANDBY	IN	OBL	Stand-by(low active)

## Features

- Converts NTSC/PAL and PC video signal into flat panel display device timing and resolution
- Provide full frame buffer, reduce frame buffer and frame buffer less optional architecture.
- Built-in memory and output clock generator
- Support Auto-tracking and Auto-position capabilities
- Support Auto-gain capability for input image
- On-chip brightness and contrast adjustments
- On-chip gamma correction for panel compensation

## Input

- PC video up to 1024X768@85Hz, and 1280X1024 @60Hz operation mode
- Support YCrCb422,RGB888 mode (Interlace & Progressive)
- Support TTL clock input

## Output

- Single and dual bit RGB data output
- Built-in YCrCb to RGB color space converter
- Built-in programmable Brightness and Contrast control
- Support Horizontal and Vertical position adjustment

